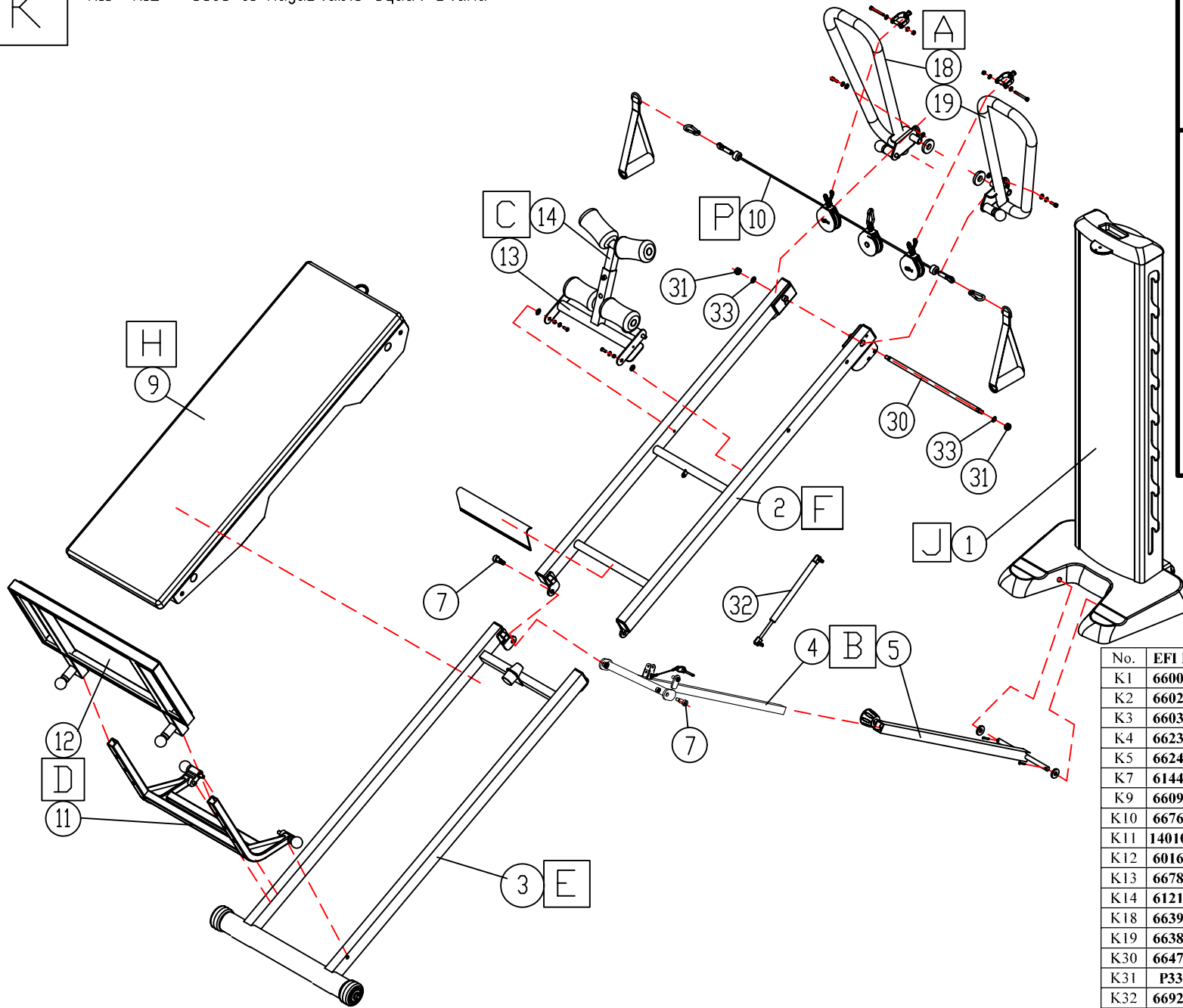


K

K11 +K12 = 6506-01 Adjustable Squat stand



GTS-03 GTS[●]
 Exploded Assembly Drawing
 P/N 6003-01, 5-08-09
 Design Patent No. D493,853



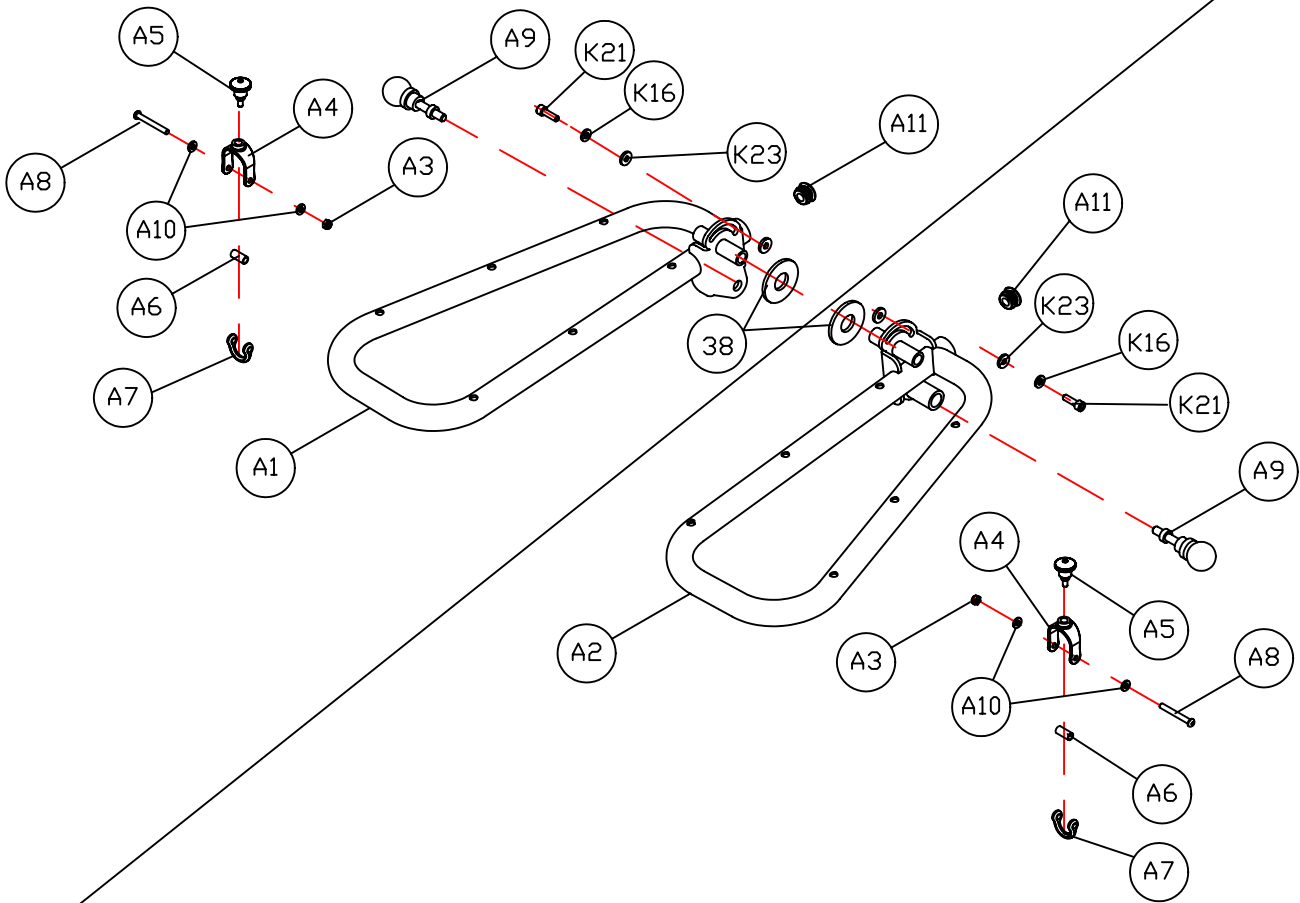
7755 Arjons Drive, San Diego, CA 92126
 800 541 4900 efisportsmedicine.com

PROPRIETARY AND CONFIDENTIAL

THE INFORMATION CONTAINED IN THIS DRAWING IS THE SOLE PROPERTY OF efi sports medicine. ANY REPRODUCTION IN PART OR AS A WHOLE WITHOUT THE WRITTEN PERMISSION IS PROHIBITED.

No.	EFI P/N	Part Name	Alt #
K1	6600-02	Tower Assembly	1300GTS030035
K2	6602-02	Top Rail Assembly	1900GTS010060
K3	6603-02	Bottom Rail Assembly	1900GTS010160
K4	6623-03	Upper Plyo Strut	1700GTS010260
K5	6624-01	Bottom Plyo Strut	1700GTS010360
K7	6144-01	Bolt, Shoulder, 1/2" x 3/4"	
K9	6609-02	Glideboard Assembly	A700GTS010060
K10	6676-02	Cable Assembly	A180GTS0100
K11	14010-01	Folding Squat Platform Assm	A130GTS010514
K12	6016-01	Telescoping Squat Stand Assm	A130TG140000510
K13	6678-01	Bottom Foot Holder	A130GTS010160
K14	6121-02	Top Foot Holder	A130TG140000260
K18	6639-01	LAT Bar-Left Assm	1700GTS011260
K19	6638-01	LAT Bar-Right Assm	1700GTS011160
K30	6647-01	Rail Shaft	452355
K31	P3364	Nylock Nut: 3/8-16	7001109511
K32	6692-01	Gas Strut	411214101
K33	P3373	Flat Washer: 1/2"ID washer	700050921152

A



6913-01 Pulley Pos Assy Kit (No Plunger, set of 2)
 6913-02 Pulley Pos Assy Kit (with Plunger, set of 2)
 (Includes: A3,4,5,6, 8, 10 & P15)

No.	EFI P/N	Part Name	Alt #
A1	6639-01	LAT Bars-Left	1700GTS010160
A2	6638-01	LAT Bars-Right	1700GTS010060
A3	6675-01	Nylock Nut: M6x1.0	70011061
A4+A5	6680-02	LAT Pulley Loc Brkt w/ Plunger (A4+A5)	QPETS0105
A4	6671-02	Ring	212611
A5	6077-02	Plunger-Black knob	73020663
A6	6294-01	Sleeve (2t)	7030243
A7	6672-01	U Ring	212610
A8	6673-01	Socket Head Screw Modified: M6-1-20L	700210605001
A9	6070-01	Pull Pin Knob 3/8"	73020646
A10	6674-01	Flat Washer: M6	700050613202
A11	P 3119	Round Plastic Plug: 1.25 Dia	351507
K16	6664-01	Flat Washer: M6 Steel	700050613102
K21	6667-01	Socket Head Screw Modified: M6-x1.0px2	700210602011
K23	6668-01	Bronze Washer, Small:19 OD, 6 ID, 1t	7007020
K38	6330-01	Bronze washer, Large: 31.8 OD, 19 ID, 1t	7007019

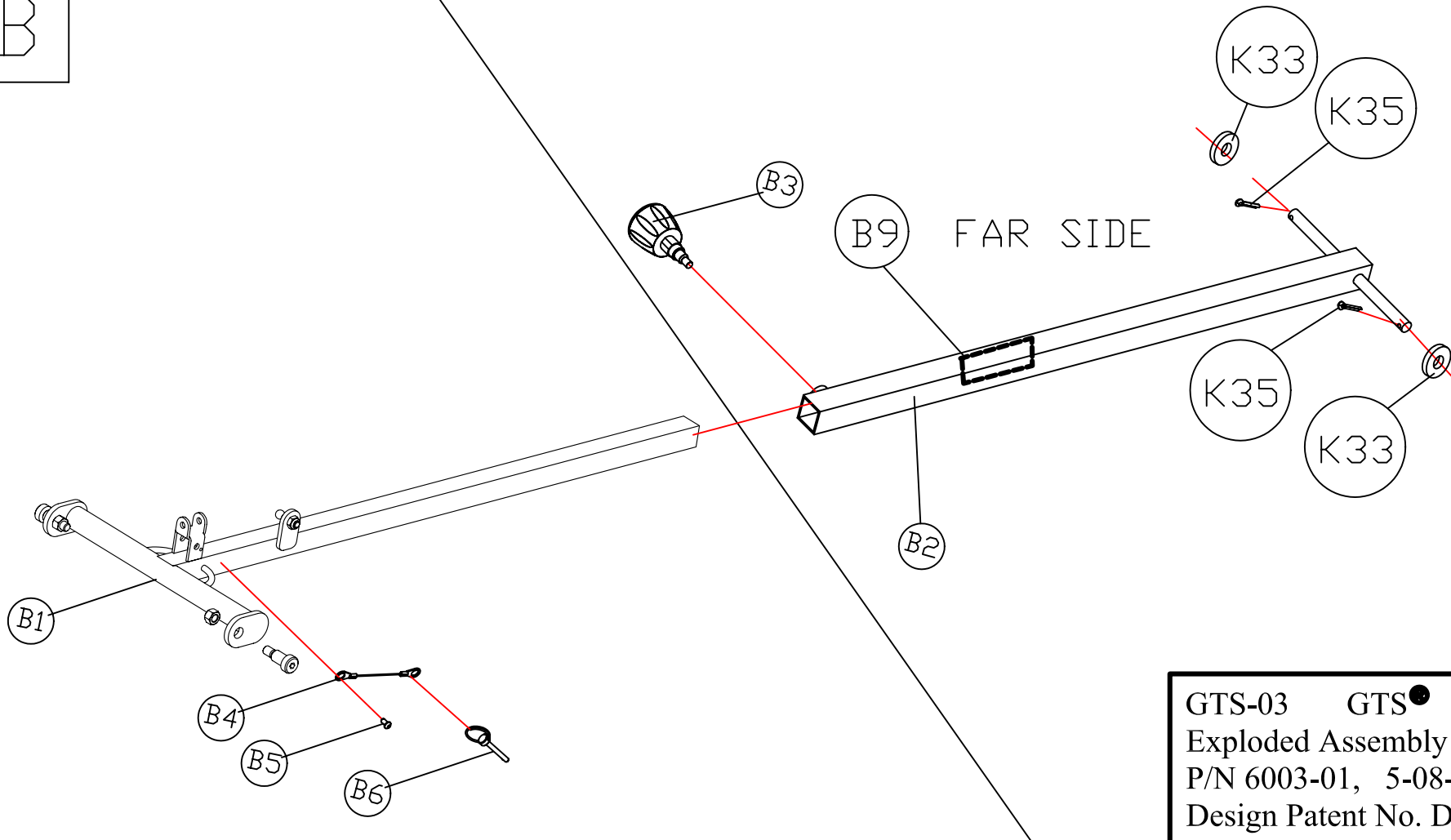
GTS-03 GTS
 Exploded Assembly Drawing
 P/N 6003-01, 5-08-09
 Design Patent No. D493,853

efi.
 sports medicine

7755 Arjona Drive, San Diego, CA 92126
 800 541 4900 efi.sportsmedicine.com

PROPRIETARY AND CONFIDENTIAL
 THE INFORMATION CONTAINED IN THIS
 DRAWING IS THE SOLE PROPERTY OF
 efi sports medicine. ANY REPRODUCTION
 IN PART OR AS A WHOLE WITHOUT THE
 WRITTEN PERMISSION IS PROHIBITED.

B



No.	EFI Part #	Part Name	Alt #
B1	6623-03	Top Plyo Strut, Flanged	1700GTS030260
B2	6624-01	Bottom Plyo Strut	1700GTS010360
B3	6627-01	Strut Retractable Knob	73020652
B4	6628-01	Lanyard; Fold lock pin	21240165
B5	6650-01	Hexagon Socket Button Head Screw :M4-.7-10L	700290400602
B6	6629-02	Detent Pin with ring: 6mm Dia x 70L	
		Ball stud for Gas strut: Part of Gas Strut	
B9		UN-Fold instruction Sticker	
K33	P3373	Flat Washer: 1/2"ID washer	700050921152
K35	6670-01	Cotter Pin: 4.7mm Dia 50L (3/16 x2")	7032081

GTS-03 GTS[®]
 Exploded Assembly Drawing
 P/N 6003-01, 5-08-09
 Design Patent No. D493,853

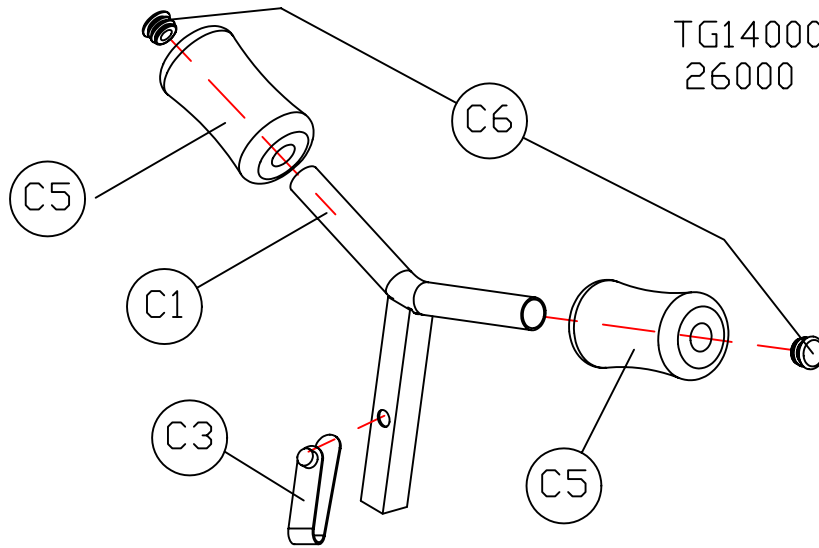


7755 Arjons Drive, San Diego, CA 92126
 800 541 4900 efisportsmedicine.com

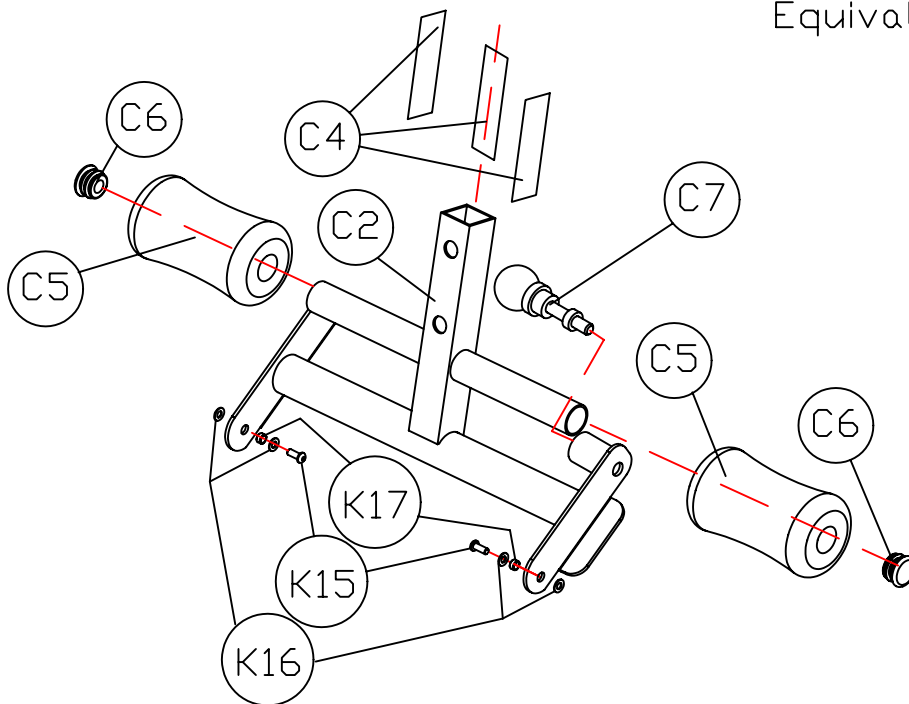
PROPRIETARY AND CONFIDENTIAL

THE INFORMATION CONTAINED IN THIS DRAWING IS THE SOLE PROPERTY OF efi sports medicine. ANY REPRODUCTION IN PART OR AS A WHOLE WITHOUT THE WRITTEN PERMISSION IS PROHIBITED.

C



Similar Assemblies:
 TG14000 (Black): 26020-01
 26000 (Chrome): 26010-01



Equivalent Part Numbers:
 14107-01 = 6665-01
 14108-01 = 6664-01
 14109-01 = 6663-01

GTS-03 GTS
 Exploded Assembly Drawing
 P/N 6003-01, 5-08-09
 Design Patent No. D493,853

efi.
 sports medicine

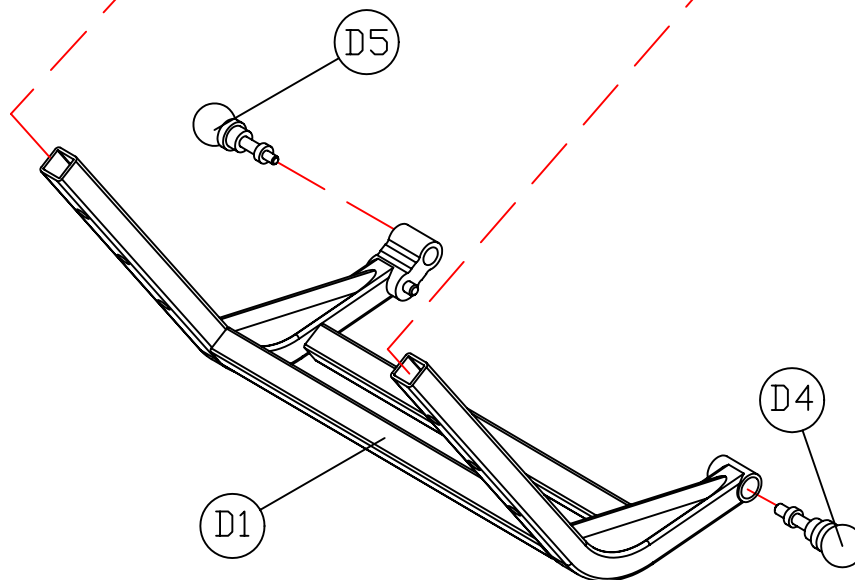
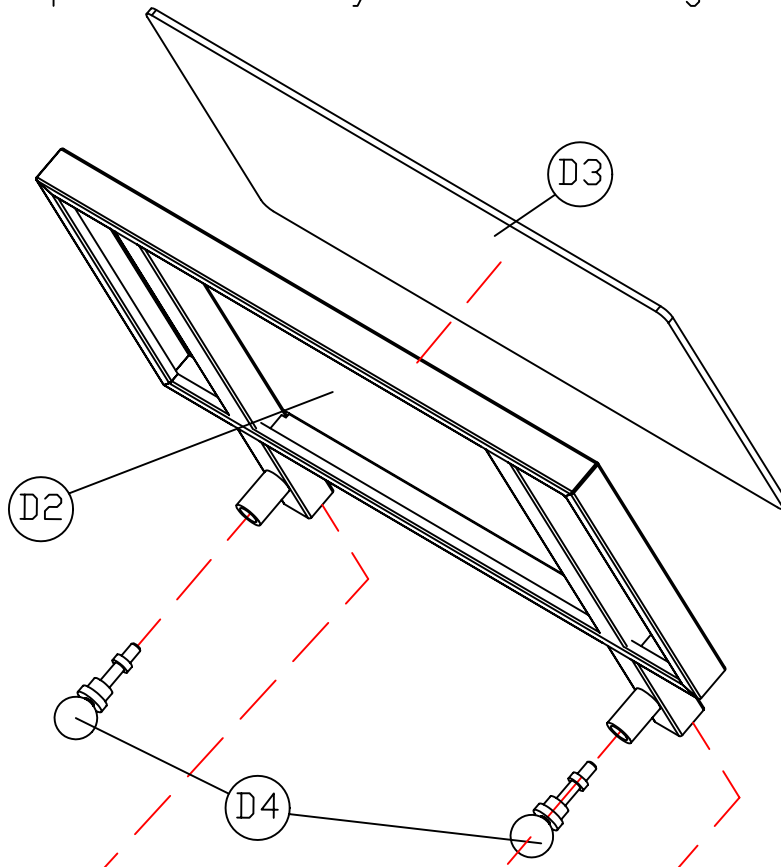
7755 Arjons Drive, San Diego, CA 92126
 800 541 4900 efisportsmedicine.com

PROPRIETARY AND CONFIDENTIAL
 THE INFORMATION CONTAINED IN THIS
 DRAWING IS THE SOLE PROPERTY OF
 efi sports medicine. ANY REPRODUCTION
 IN PART OR AS A WHOLE WITHOUT THE
 WRITTEN PERMISSION IS PROHIBITED.

No.	EFI P/N	Part Name	Alt #
C	6607-01	Folding Foot Holder	
C: Top	6121-02	"Y" Bar, Upper Adjustable Foot Holder(C4~C7)	1700GTS0110360
C: Bot	6678-01	Bottom Adjustable Foot Holder(C5~C6)	A130TG140000260
C1	6033-02	Upper Chrome Weldment	
C2	6677-01	Bottom Chrome Weldment	
C3	6073-01	Spring Button	7032076
C4	6649-01	PE Pad	6007034
C5	P3071	Pad, Heel	351412201201
C6	P3113	Round Plug:Pastic 1"Dia	351506
C7	6648-01	Pull Pin Knob, 3/8 Short	73020651
K15	14109-01	Hex Socket Button Head Screw: M6-1-15L	700290601512
K16	14108-01	Flat Washer: M6 Steel	700050613102
K17	14107-01	Bushing, Steel, FFH: 3/8" OD. .06 wall, .20" L	7030150

D

Complete Assembly = 6506-01 Adjustable Squat stand



GTS-03 GTS
Exploded Assembly Drawing
P/N 6003-01, 5-08-09
Design Patent No. D493,853

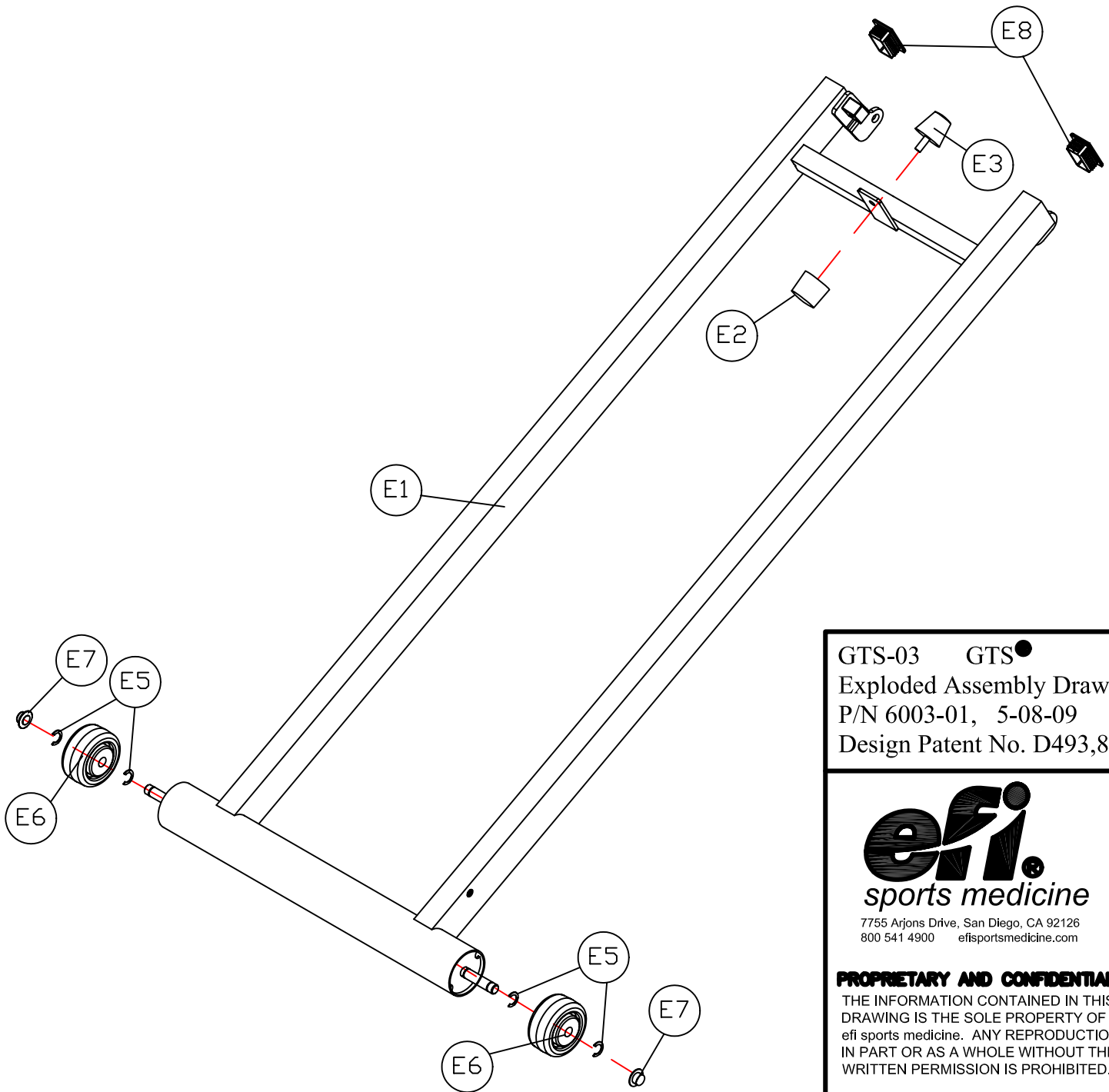
efi.
sports medicine

7755 Arjons Drive, San Diego, CA 92126
800 541 4900 efi@sportsmedicine.com

PROPRIETARY AND CONFIDENTIAL
THE INFORMATION CONTAINED IN THIS
DRAWING IS THE SOLE PROPERTY OF
efi sports medicine. ANY REPRODUCTION
IN PART OR AS A WHOLE WITHOUT THE
WRITTEN PERMISSION IS PROHIBITED.

No.	EFI P/N	Part Name	Alt #
D Top	6016-01	Telescoping Squat Stand Assembly(D2~D4)	A130TG140000510
D: Bot	14010-01	Folding Platform Assembly(D1, D4~D5)	A1300TG140000014
D1	6501-01	Folding Platform Weldment	1300TG140000014
D2	6045-01	Telescoping Squat Stand	1300TG140000510
D3	6042-01	Rubber Pad	520856
D4	6070-01	Pull Pin Knob 3/8"	73020646
D5	6255-01	Pull Pin Knob 5/16"	73020647

E



GTS-03 GTS●
 Exploded Assembly Drawing
 P/N 6003-01, 5-08-09
 Design Patent No. D493,853

efi.
 sports medicine

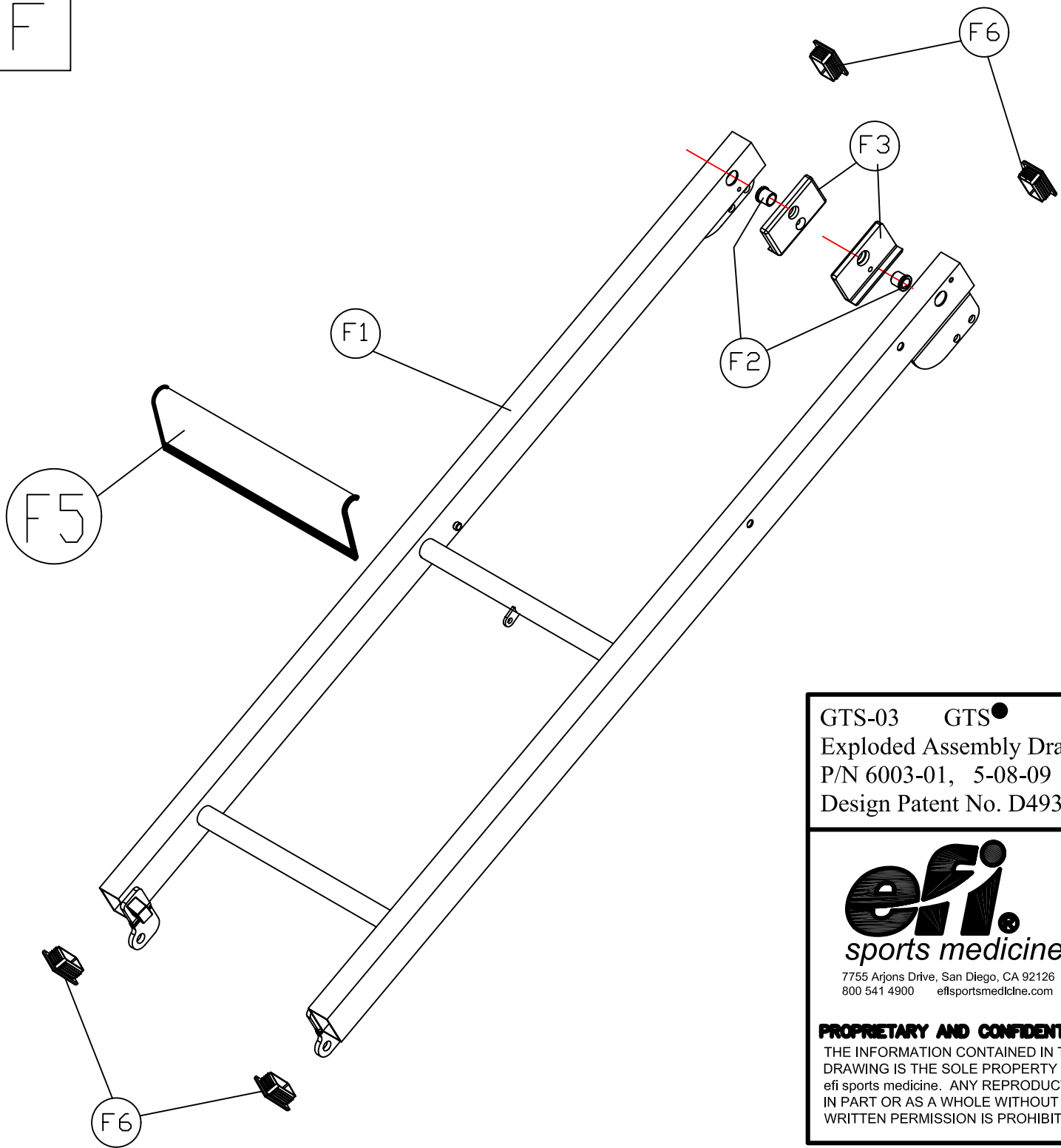
7755 Arjons Drive, San Diego, CA 92126
 800 541 4900 efisportsmedicine.com

PROPRIETARY AND CONFIDENTIAL

THE INFORMATION CONTAINED IN THIS DRAWING IS THE SOLE PROPERTY OF efi sports medicine. ANY REPRODUCTION IN PART OR AS A WHOLE WITHOUT THE WRITTEN PERMISSION IS PROHIBITED.

No.	EFIP/N	Part Name	Alt #
E1	6603-02	Lower Rail Assembly (rail lock block)	1900PT010160
E2	6085-01	Stop Rubber -A, Female thread	521211
E3	6084-01	Stop Rubber -B Cone Shape, Male thread	521212
E5	6641-01	E-Clip Ring	7036035
E6	6081-01	Non-Marking Hard Plastic Wheel	3530075
E7	6642-01	Fixed Cap Nut: 1/2" External	70012122
E8	6088-01	Plastic Plug 30x 50 mm Rect	520451

F



GTS-03 GTS
 Exploded Assembly Drawing
 P/N 6003-01, 5-08-09
 Design Patent No. D493,853

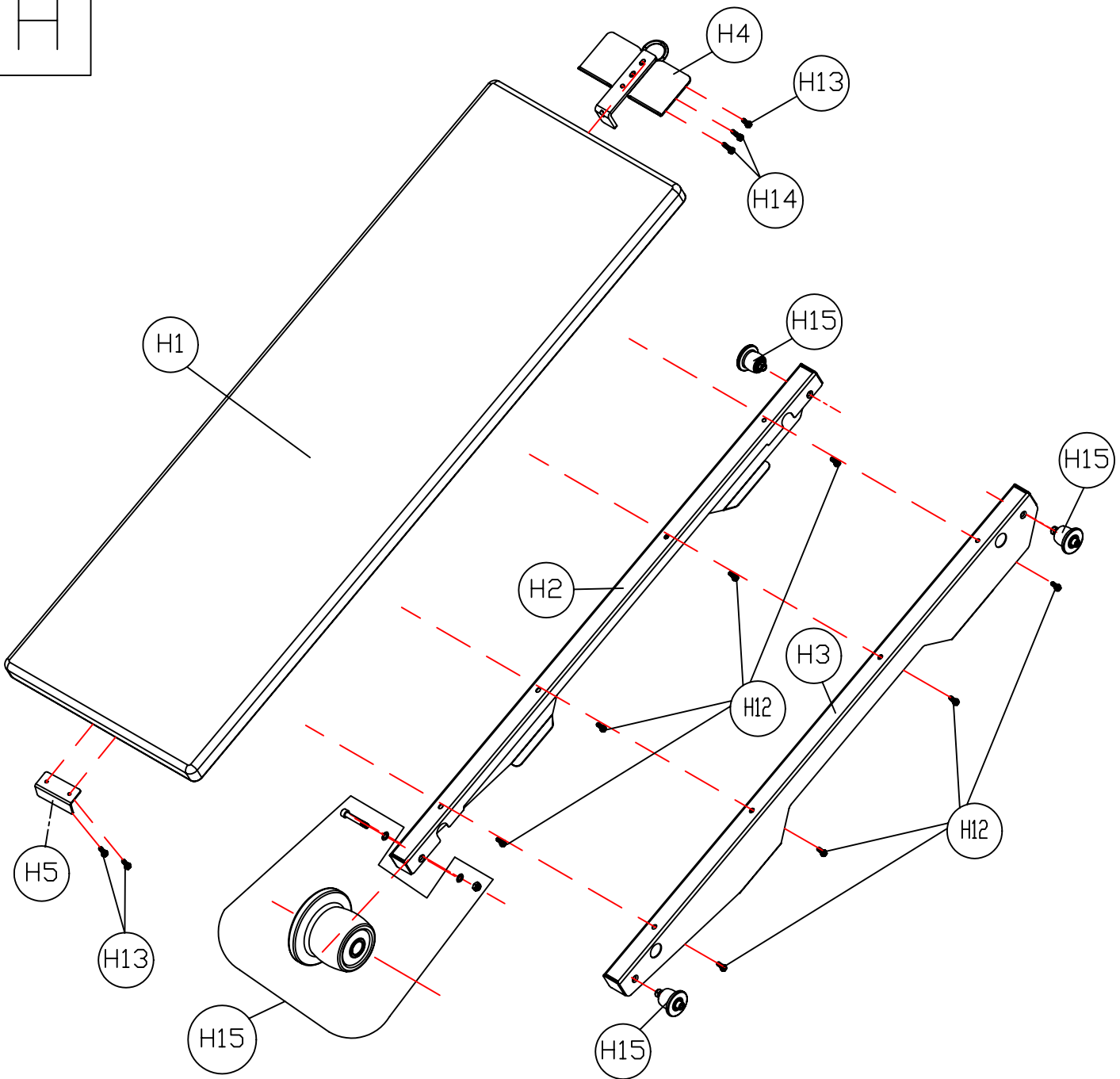


7755 Arjons Drive, San Diego, CA 92126
 800 541 4900 efi@sportsmedicine.com

PROPRIETARY AND CONFIDENTIAL
 THE INFORMATION CONTAINED IN THIS
 DRAWING IS THE SOLE PROPERTY OF
 efi sports medicine. ANY REPRODUCTION
 IN PART OR AS A WHOLE WITHOUT THE
 WRITTEN PERMISSION IS PROHIBITED.

No.	EFI P/N	Part Name	Alt #
F1	6602-02	Top Rail Assembly	1900GTS030060
F2	6645-02	Round Bush (Aceytal)	520562
F3	6644-02	Retangular Bush (Aceytal)	7902100
F5	6126-01	Shaft protector	311303
F6	6088-01	Plastic Plug 30x 50 mm Rect	520451

H



No.	EFI Part #	Part Name	Alt #
H	6609-01	Glideboard Assembly(H1~H12)	A700GTS010060
H1	6022-01	GTS Glideboard Pad	3524GTS0100
H2	6626-01	Glideborad Housing -Left	7905GTS010135
H3	6625-01	Glideborad Housing -Right	7905GTS010235
H4	14054-01	Pull/Stop, Gildeborad Bracket	7905TG140000014
H5	14069-01	Lower Stop Bracket	790206714
H12	6690-01	Hex Screw: M6-16L	700240601604
H13	6652-01	Hex Screw: M6-20L	700240602004
H14	6653-01	Hex Screw: M6-25L	700240602504
H15	6080-02	GB Roller Assembly	22232301
	-	GB Roller with bearings	
	-	Special Screw	700210805034
	-	Nylock Nut	70011084
	-	Flat Washer	700050819104

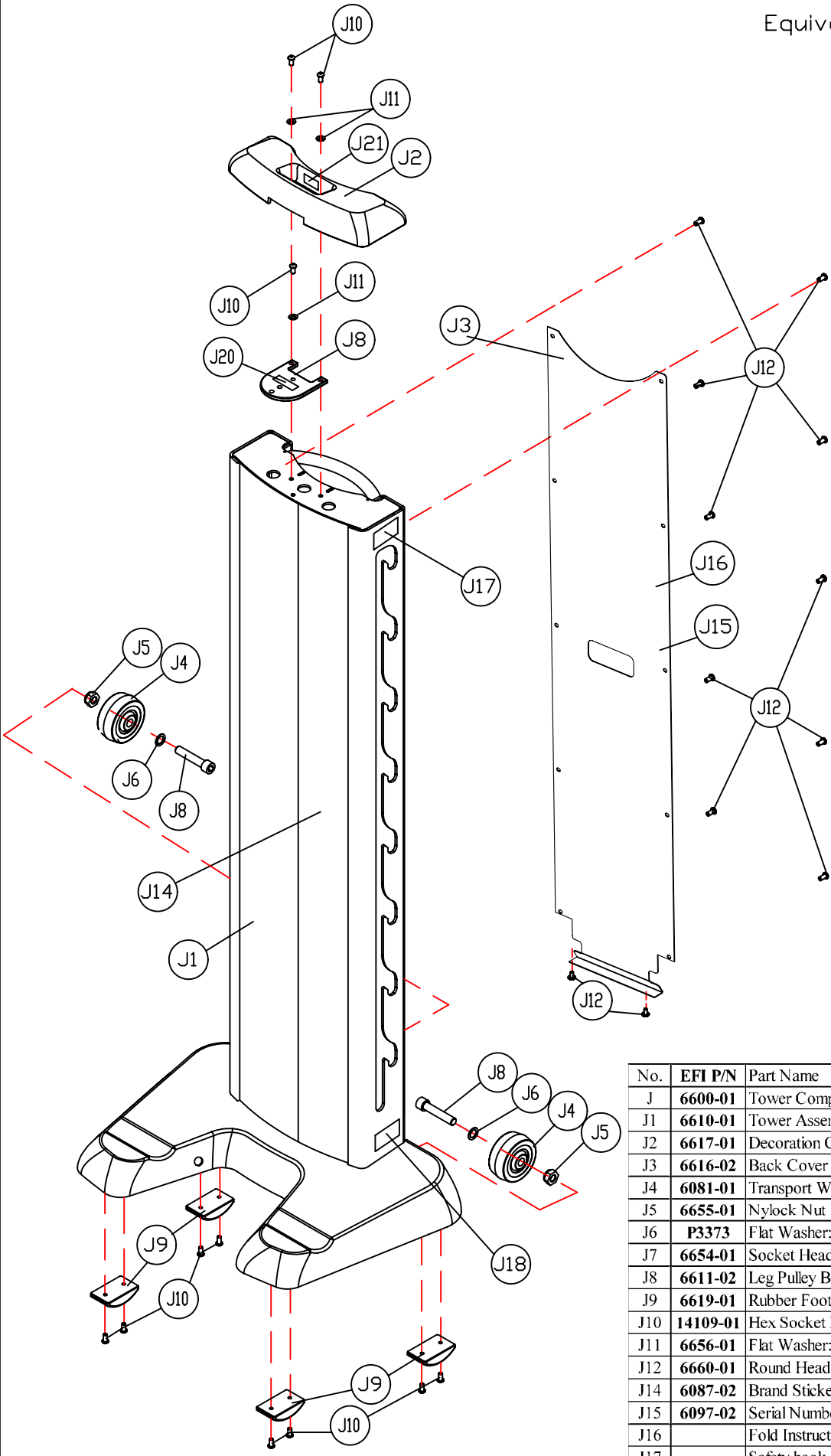
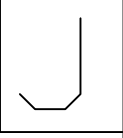
GTS-03 GTS
 Exploded Assembly Drawing
 P/N 6003-01, 5-08-09
 Design Patent No. D493,853



7755 Arjons Drive, San Diego, CA 92126
 800 541 4900 efisportsmedicine.com

PROPRIETARY AND CONFIDENTIAL
 THE INFORMATION CONTAINED IN THIS
 DRAWING IS THE SOLE PROPERTY OF
 efi sports medicine. ANY REPRODUCTION
 IN PART OR AS A WHOLE WITHOUT THE
 WRITTEN PERMISSION IS PROHIBITED.

Equivalent Part Numbers:
14109-01 = 6657-01



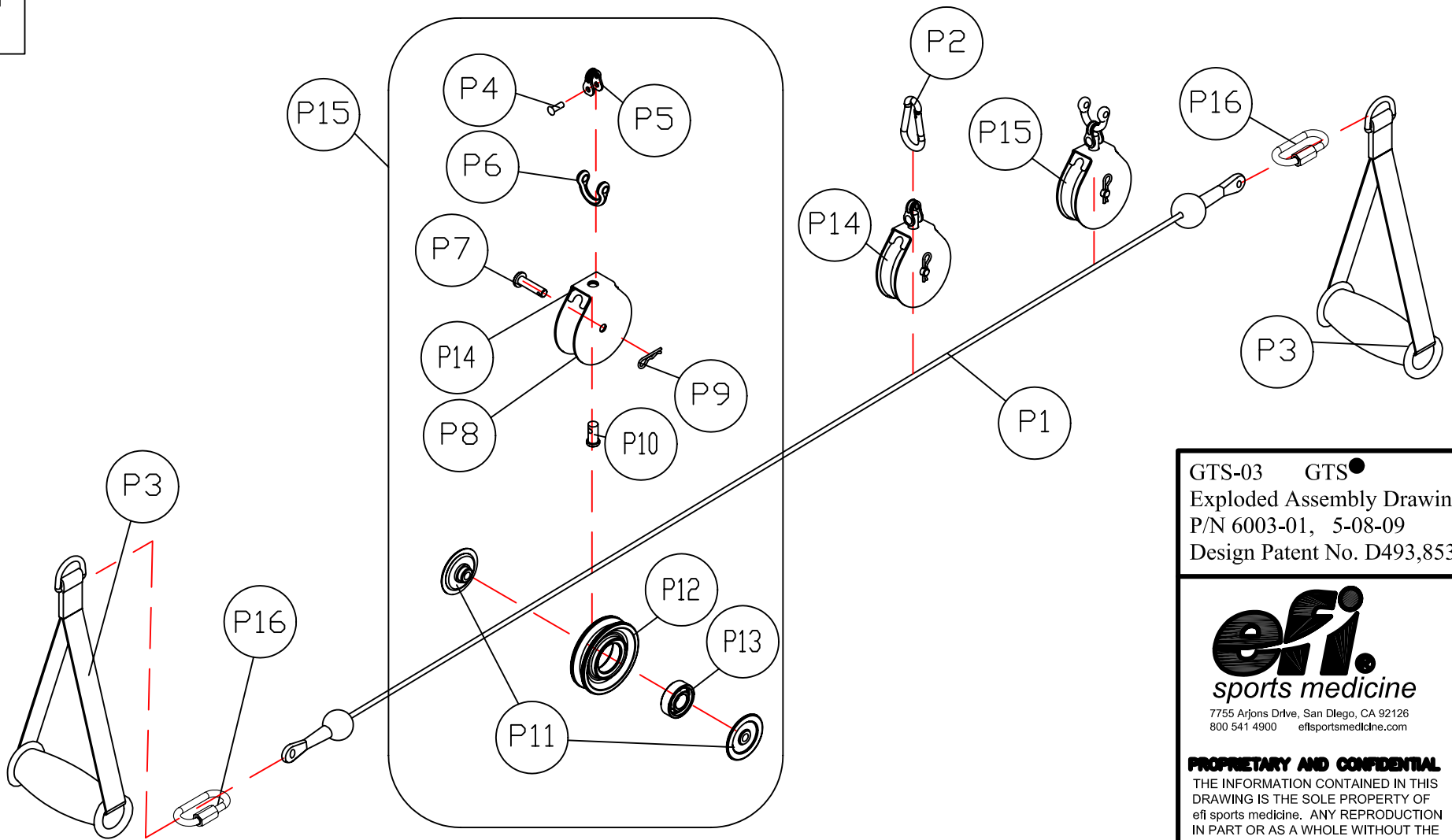
GTS-03 GTS
Exploded Assembly Drawing
P/N 6003-01, 5-08-09
Design Patent No. D493,853

7755 Arjons Drive, San Diego, CA 92126
800 541 4900 efsportsmedicine.com

PROPRIETARY AND CONFIDENTIAL
THE INFORMATION CONTAINED IN THIS DRAWING IS THE SOLE PROPERTY OF efi sports medicine. ANY REPRODUCTION IN PART OR AS A WHOLE WITHOUT THE WRITTEN PERMISSION IS PROHIBITED.

No.	EFI P/N	Part Name	Alt #
J	6600-01	Tower Complete Assembly	
J1	6610-01	Tower Assembly: Powder Coated Weldment	1300GTS030035
J2	6617-01	Decoration Cap for Tower	5004GTS010010
J3	6616-02	Back Cover Assembly (Non-Welded)	7902109
J4	6081-01	Transport Wheel	3530075
J5	6655-01	Nylock Nut Low Head:M12 Self lock UCP	70011201
J6	P3373	Flat Washer: 1/2"ID washer	700050921152
J7	6654-01	Socket Head Screw: M12-1.75-60L SHCS UCP	700211206012
J8	6611-02	Leg Pulley Bracket (6mm Hole)	212627
J9	6619-01	Rubber Foot	411402A01
J10	14109-01	Hex Socket Button Head Screw: M6-1-12L BHCS	700290601214
J11	6656-01	Flat Washer: M6 Steel	700050616104
J12	6660-01	Round Head Screw: M5-0.8-10L	700290500602
J14	6087-02	Brand Sticker: Tower Front	6704361
J15	6097-02	Serial Number Sticker	BACK COVER
J16		Fold Instruction,	BACK COVER
J17		Safety hook Warning	
J18		Fold Position	
J20		Leg Pulley Only	
J21		Arm Pulley Storage	

P



GTS-03 GTS
 Exploded Assembly Drawing
 P/N 6003-01, 5-08-09
 Design Patent No. D493,853

efi.
 sports medicine

7755 Arjons Drive, San Diego, CA 92126
 800 541 4900 eflsportsmedicine.com

PROPRIETARY AND CONFIDENTIAL
 THE INFORMATION CONTAINED IN THIS
 DRAWING IS THE SOLE PROPERTY OF
 efi sports medicine. ANY REPRODUCTION
 IN PART OR AS A WHOLE WITHOUT THE
 WRITTEN PERMISSION IS PROHIBITED.

No.	EFI P/N	Part Name	Alt #
P15	6399-01	Pulley Assembly 3" & U Ring	212103
P6	6672-01	U Ring	212610
P4	-	Rivet: Oval head Semi-Tubular	7035011
P5	-	Pulley Clevis	
P7	-	Pin for Pulley	7032053
P8	-	Pulley Bracket	
P9	-	B-type Pin	7032047
P10	-	Pin	7032054
P11	-	Dust Cover	7031046
P12	-	Cable Roller	222309

No.	EFI P/N	Part Name	Alt #
P	6676-01	Cable Assembly	A180GTS0100
P1	6120-02	Cable	21242273
P2	P3384-01	Snap Link egg shape 1/4" (SS)	212604
P16	P 3380-01	Quick Link 1/4" (SS)	212625
P3	6043-02	Molded Handle, 1" strap	3513GTS0102
P6	6672-01	U Ring	212610
P14	P 2273	Pulley Assembly 3"	212103
P15	6399-01	Pulley Assembly 3" & U Ring	