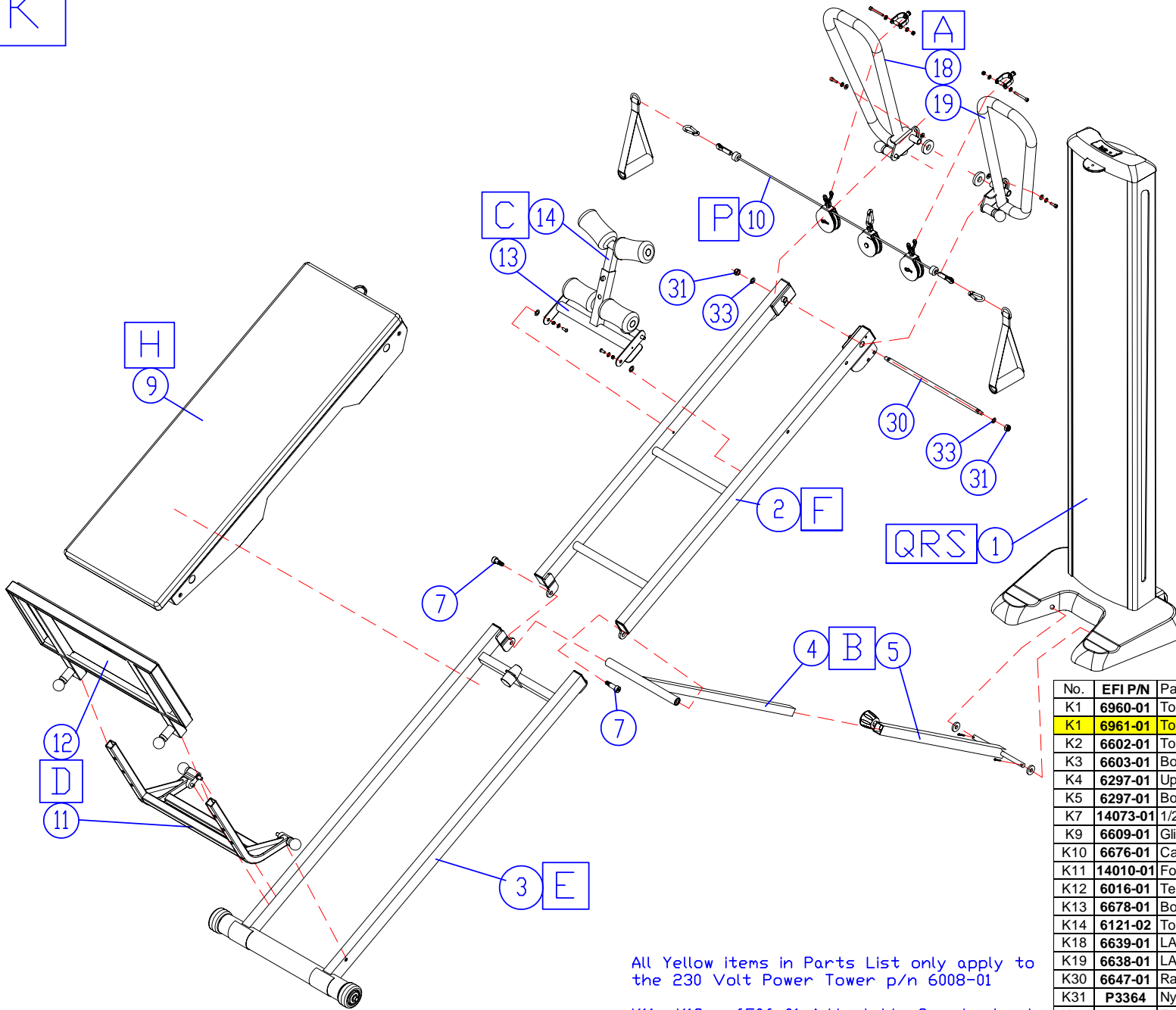


K



**Power Tower**  
**Exploded Assembly Drawing**  
 P/N 6007-01, 6008-01  
 10-10-06  
 Design Patent No. D493,853

**efi.**  
*sports medicine*

7755 Arjons Drive, San Diego, CA 92126  
 800 541 4900 efisportsmedicine.com

**PROPRIETARY AND CONFIDENTIAL**

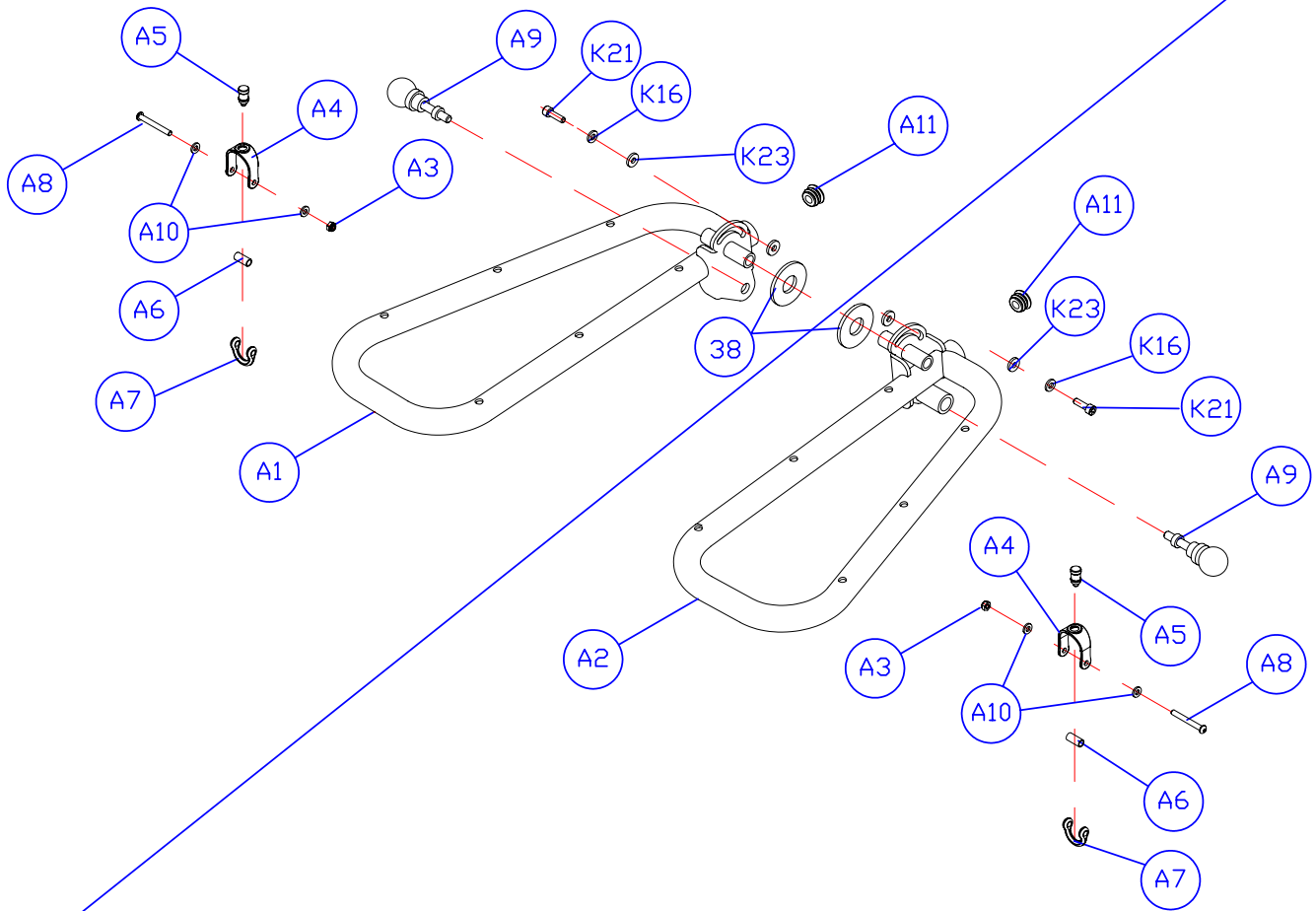
THE INFORMATION CONTAINED IN THIS DRAWING IS THE SOLE PROPERTY OF efi sports medicine. ANY REPRODUCTION IN PART OR AS A WHOLE WITHOUT THE WRITTEN PERMISSION IS PROHIBITED.

No.	EFI P/N	Part Name	Alt #
K1	6960-01	Tower Assembly 115 V AC	1300PT010035
K1	6961-01	Tower Assembly 230 V AC	
K2	6602-01	Top Rail Assembly	1900PT010060
K3	6603-01	Bottom Rail Assembly	1900PT010160
K4	6297-01	Upper Plyo Strut	1700PT010060
K5	6297-01	Bottom Plyo Strut	1700PT010135
K7	14073-01	1/2" Shoulder Screw 3/8-16 thread	700211003514
K9	6609-01	Slideboard Assembly	A700GTS010035
K10	6676-01	Cable Assembly	A180GTS0100
K11	14010-01	Folding Squat Platform Assembly	A130G1S140000014
K12	6016-01	Telescoping Squat Stand Assembly	A130TG140000510
K13	6678-01	Bottom Adjustable Foot Holder	A130GTS010160
K14	6121-02	Top Adjustable Foot Holder	A130TG140000260
K18	6639-01	LAT Bar-Left Assm	1700GTS010160
K19	6638-01	LAT Bar-Right Assm	1700GTS010060
K30	6647-01	Rail Shaft	452355
K31	P3364	Nylock Nut: 3/8-16 Self lock Nut	7001109511
K33	P3373	Flat Washer: 1/2"ID washer	700050921152

All Yellow items in Parts List only apply to the 230 Volt Power Tower p/n 6008-01

K11 +K12 = 6506-01 Adjustable Squat stand

A



6913-01 Pulley Pos Assy Kit ( No Plunger, set of 2)  
 6913-02 Pulley Pos Assy Kit ( with Plunger, set of 2)  
 (Includes: A3,4,5,6, 8, 10 & P15)

No.	EFI P/N	Part Name	Alt #
A1	6639-01	LAT Bars-Left	1700GTS010160
A2	6638-01	LAT Bars-Right	1700GTS010060
A3	6675-01	Nylock Nut: M6x1.0	70011061
A4+A5	6680-01	LAT Pulley Loc Brkt w/ Plunger (A4+A5)	QPGTS0105
A4	6671-01	Ring	212611
A5	6077-01	Plunger	73020653
A6	6294-01	Sleeve (2t)	7030179
A7	6672-01	U Ring	212610
A8	6673-01	Socket Head Screw Modified: M6-1-20L	700210605001
A9	6070-01	Pull Pin Knob 3/8"	73020646
A10	6674-01	Flat Washer: M6	700050613202
A11	P 3119	Round Plastic Plug: 1.25 Dia	351507
K16	6664-01	Flat Washer: M6 Steel	
K23	6668-01	Bronze Washer, Small:19 OD, 6 ID, 1t	700086515250
K21	6667-01	Socket Head Screw Modified: M6-1-30L	700210602001
K38	6330-01	Bronze washer, Large: 31.8 OD, 19 ID, 1t	

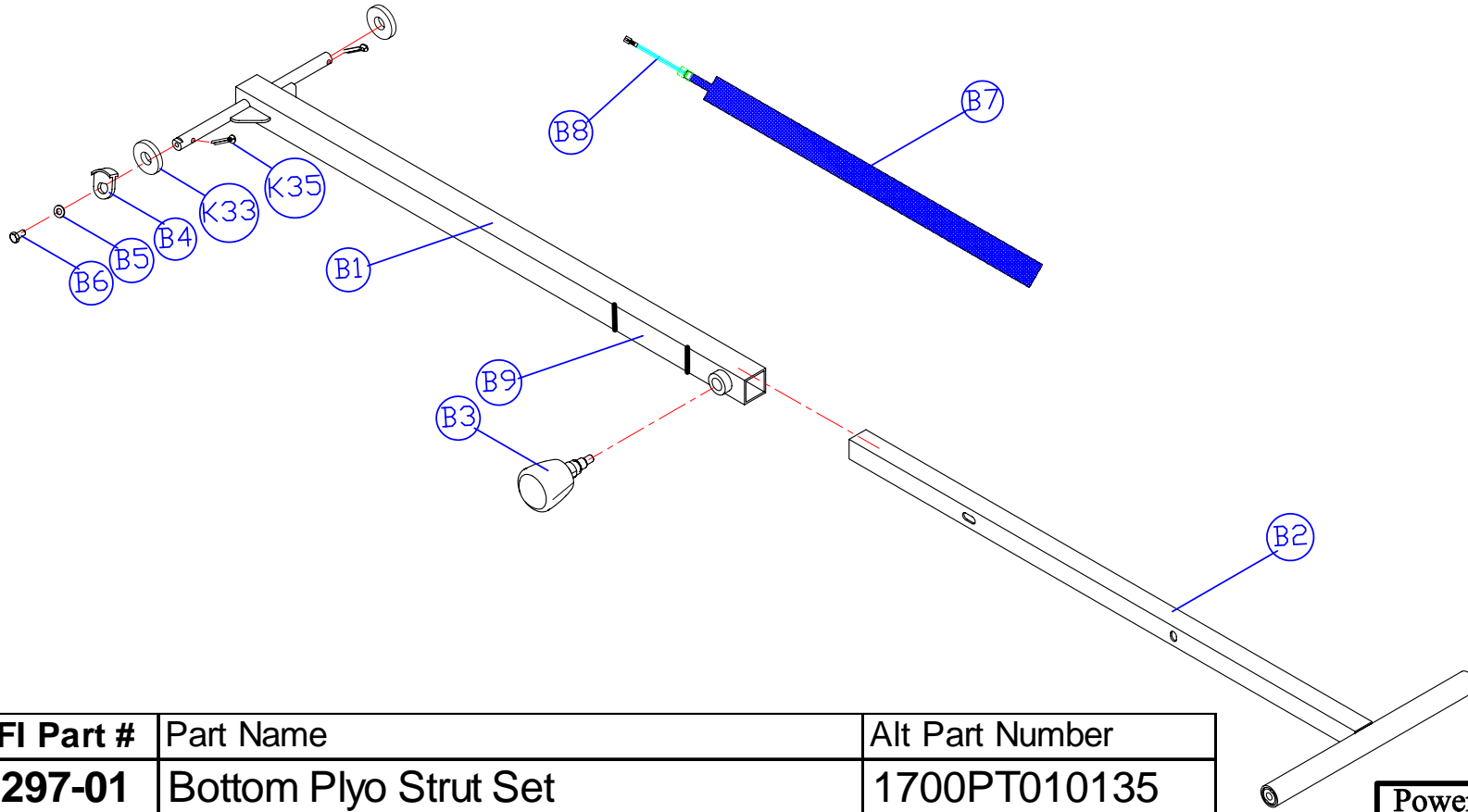
Power Tower  
 Exploded Assembly Drawing  
 P/N 6007-01, 6008-01  
 10-10-06  
 Design Patent No. D493,853

**efi.**  
 sports medicine

7755 Arjons Drive, San Diego, CA 92126  
 800 541 4900 efi.sportsmedicine.com


**PROPRIETARY AND CONFIDENTIAL**  
 THE INFORMATION CONTAINED IN THIS  
 DRAWING IS THE SOLE PROPERTY OF  
 efi sports medicine. ANY REPRODUCTION  
 IN PART OR AS A WHOLE WITHOUT THE  
 WRITTEN PERMISSION IS PROHIBITED.

B



Ref	EFI Part #	Part Name	Alt Part Number
B1	6297-01	Bottom Plyo Strut Set	1700PT010135
B2	6297-01	Top Plyo Strut Set	1700PT010060
B3	6627-01	Strut Retractable Knob	73020652
B4	6939-01	Sensor cam	79021310020
B5	6940-01	flat washer	700050613104
B6	6941-01	Hex screw	700240601004
B7	6942-01	Safety membrane switch	E801PT01IT01
B8	6943-01	wire of safety switch	E5A2DC030150
B9		Un fold Instruction sticker	
K33	P3373	Flat Washer: 1/2"ID washer	700050921152
K35	6670-01	Cotter Pin: 4.7mm Dia 50L (3/16 x2")	7032081

Power Tower  
 Exploded Assembly Drawing  
 P/N 6007-01, 6008-01  
 10-10-06  
 Design Patent No. D493,853

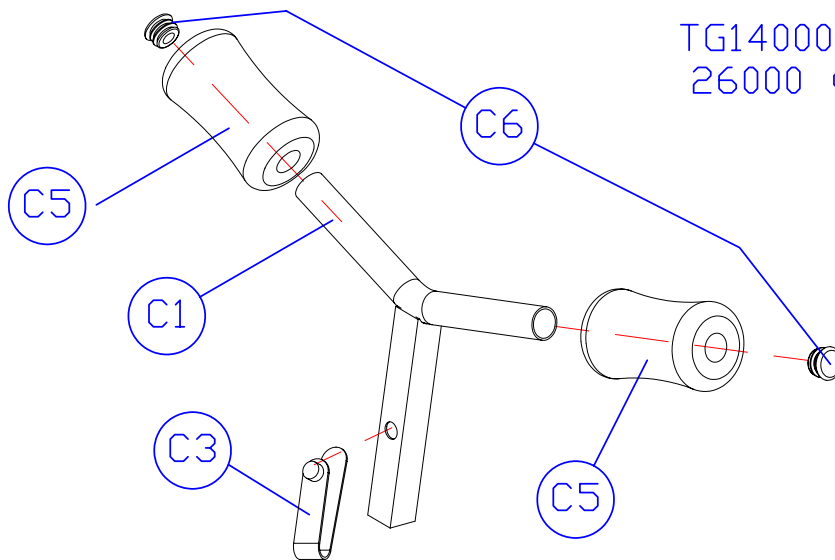


7755 Arjons Drive, San Diego, CA 92126  
 800 541 4900 efisportsmedicine.com

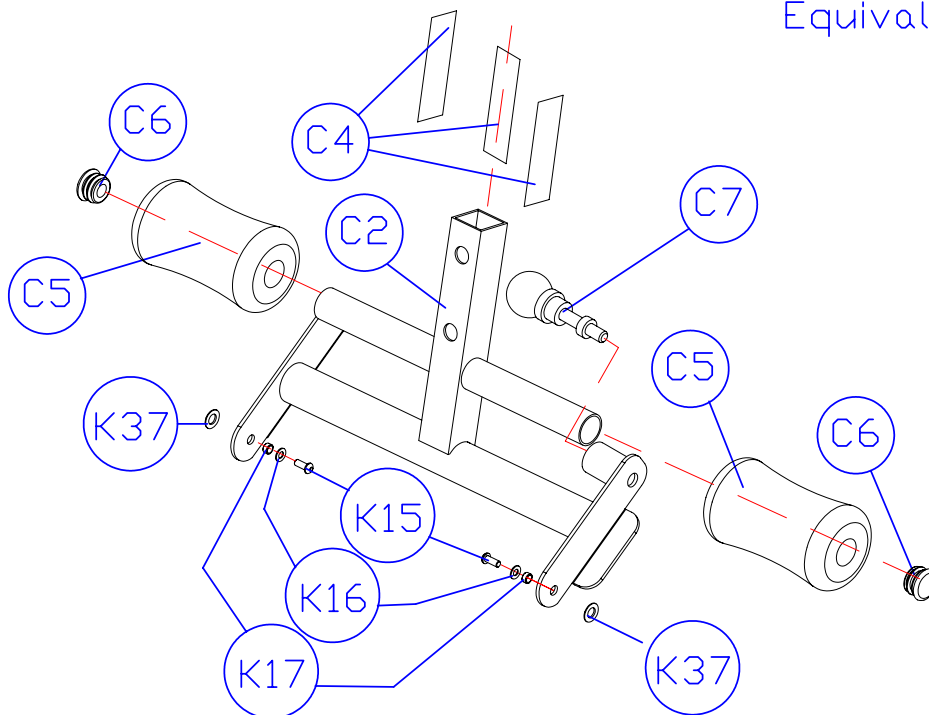
**PROPRIETARY AND CONFIDENTIAL**  
 THE INFORMATION CONTAINED IN THIS DRAWING IS THE SOLE PROPERTY OF efi sports medicine. ANY REPRODUCTION IN PART OR AS A WHOLE WITHOUT THE WRITTEN PERMISSION IS PROHIBITED.

C

Similar Assemblies:  
 TG14000 (Black): 26020-01  
 26000 (Chrome): 26010-01



Equivalent Part Numbers:  
 14107-01 = 6665-01  
 14108-01 = 6664-01  
 14109-01 = 6663-01



**Power Tower**  
**Exploded Assembly Drawing**  
 P/N 6007-01, 6008-01  
 10-10-06  
 Design Patent No. D493,853

**efi.**  
**sports medicine**

7755 Arjons Drive, San Diego, CA 92126  
 800 541 4900 efisportsmedicine.com

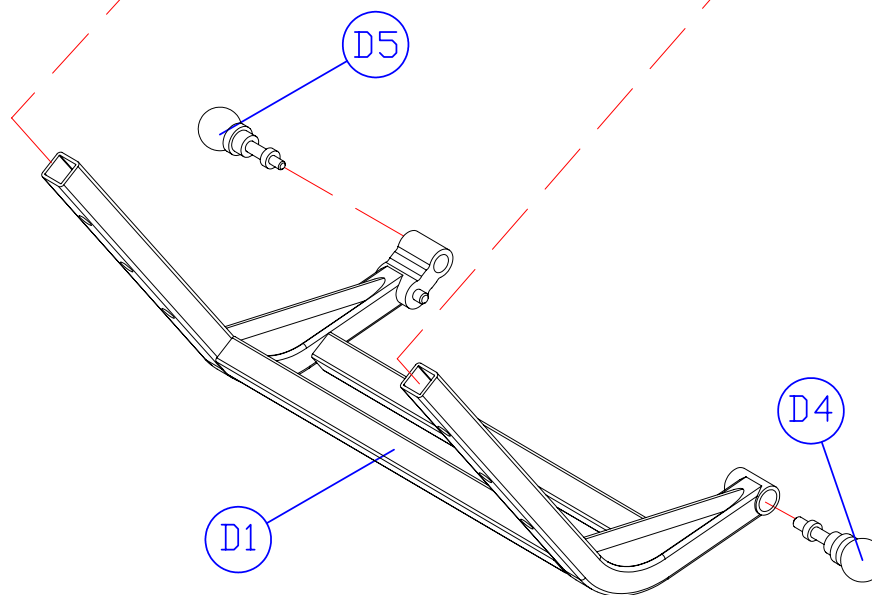
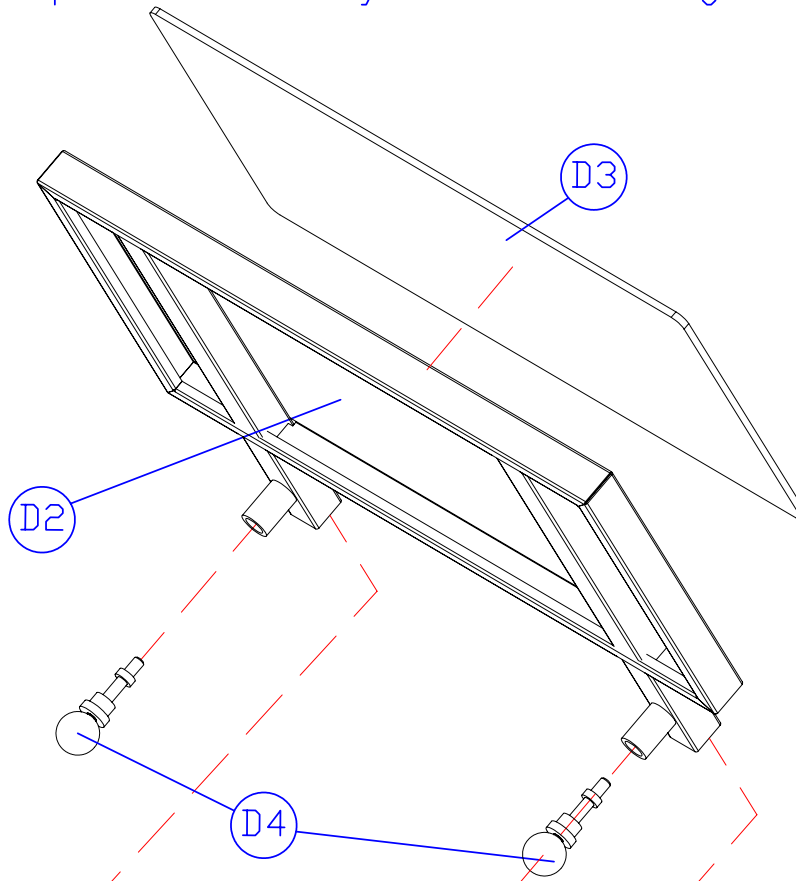
**PROPRIETARY AND CONFIDENTIAL**

THE INFORMATION CONTAINED IN THIS DRAWING IS THE SOLE PROPERTY OF efi sports medicine. ANY REPRODUCTION IN PART OR AS A WHOLE WITHOUT THE WRITTEN PERMISSION IS PROHIBITED.

No.	EFI P/N	Part Name	Alt #
C	<b>6607-01</b>	Folding Foot Holder	
C: Top	<b>6121-02</b>	"Y" Bar, Upper Adjustable Foot Holder(C4~C7)	1700GTS0110360
C: Bot	<b>6678-01</b>	Bottom Adjustable Foot Holder(C5~C6)	A130TG140000260
C1	<b>6033-02</b>	Upper Chrome Weldment	
C2	<b>6677-01</b>	Bottom Chrome Weldment	
C3	<b>6073-01</b>	Spring Button	7032076
C4	<b>6649-01</b>	PE Pad	6007034
C5	<b>P3071</b>	Pad, Heel	351412201201
C6	<b>P3113</b>	Round Plug:Pastic 1"Dia	351506
C7	<b>6648-01</b>	Pull Pin Knob, 3/8 Short	73020651
K15	<b>14109-01</b>	Hex Socket Button Head Screw: M6-1-15L	700290601512
K16	<b>14108-01</b>	Flat Washer: M6 Steel	700050613102
K17	<b>14107-01</b>	Bushing, Steel, FFH: 3/8" OD. .06 wall, .20" L	7030150
K37	<b>6668-01</b>	Bronze Washer, Small:19 OD, 6 ID, 1t	700086515250

D

Complete Assembly = 6506-01 Adjustable Squat stand



Power Tower  
Exploded Assembly Drawing  
P/N 6007-01, 6008-01  
10-10-06  
Design Patent No. D493,853

**efi.**  
sports medicine

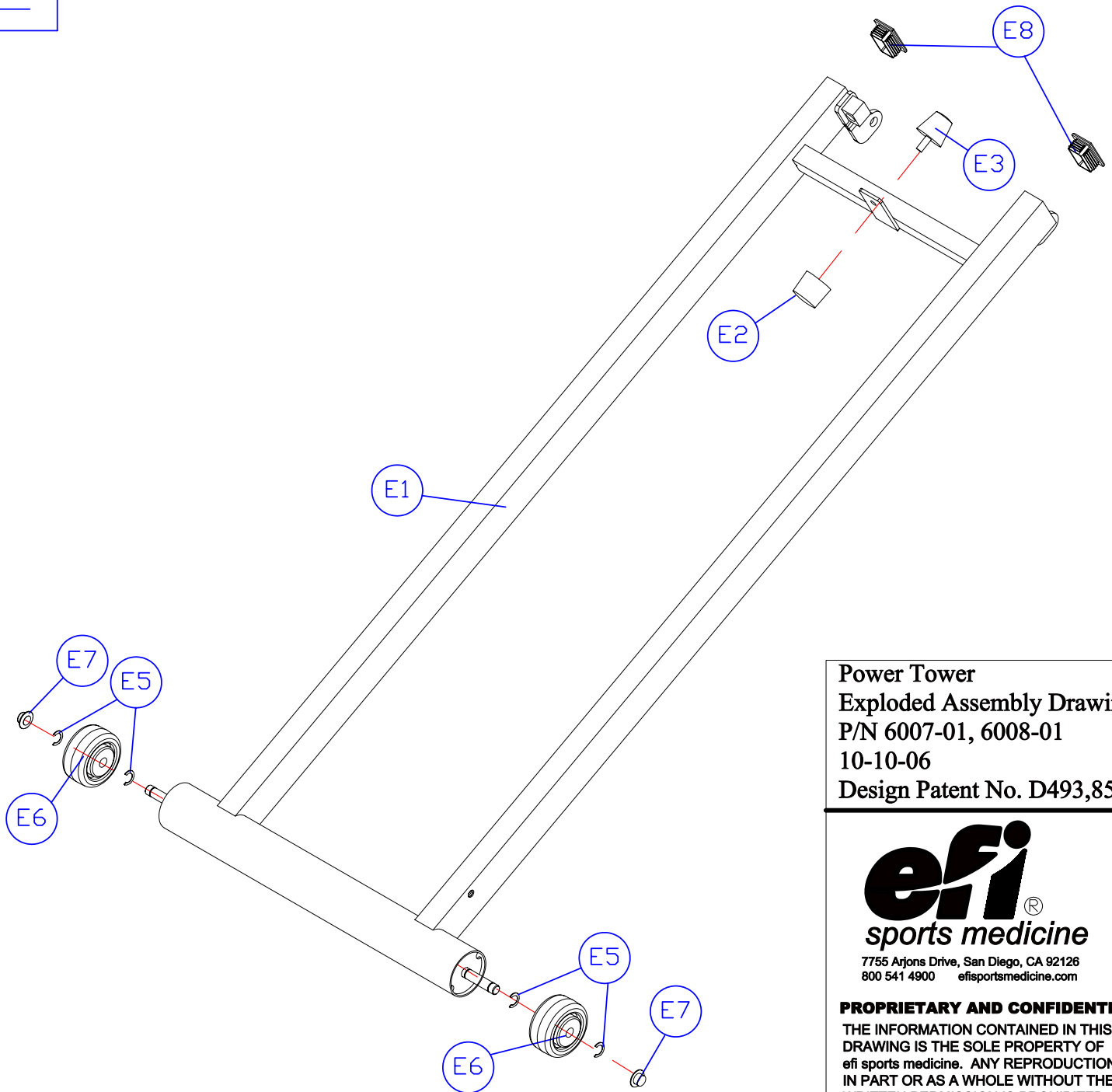
7755 Arjons Drive, San Diego, CA 92126  
800 541 4900 efi@sportsmedicine.com

**PROPRIETARY AND CONFIDENTIAL**

THE INFORMATION CONTAINED IN THIS  
DRAWING IS THE SOLE PROPERTY OF  
efi sports medicine. ANY REPRODUCTION  
IN PART OR AS A WHOLE WITHOUT THE  
WRITTEN PERMISSION IS PROHIBITED.

No.	EFI P/N	Part Name	Alt #
D Top	<b>6016-01</b>	Telescoping Squat Stand Assembly(D2~D4)	A130TG140000510
D: Bot	<b>14010-01</b>	Folding Platform Assembly(D1, D4~D5)	A1300TG140000014
D1	<b>6501-01</b>	Folding Platform Weldment	1300TG140000014
D2	<b>6045-01</b>	Telescoping Squat Stand	1300TG140000510
D3	<b>6042-01</b>	Rubber Pad	520856
D4	<b>6070-01</b>	Pull Pin Knob 3/8"	73020646
D5	<b>6255-01</b>	Pull Pin Knob 5/16"	73020647

E



Power Tower  
 Exploded Assembly Drawing  
 P/N 6007-01, 6008-01  
 10-10-06  
 Design Patent No. D493,853

**efi**<sup>®</sup>  
 sports medicine

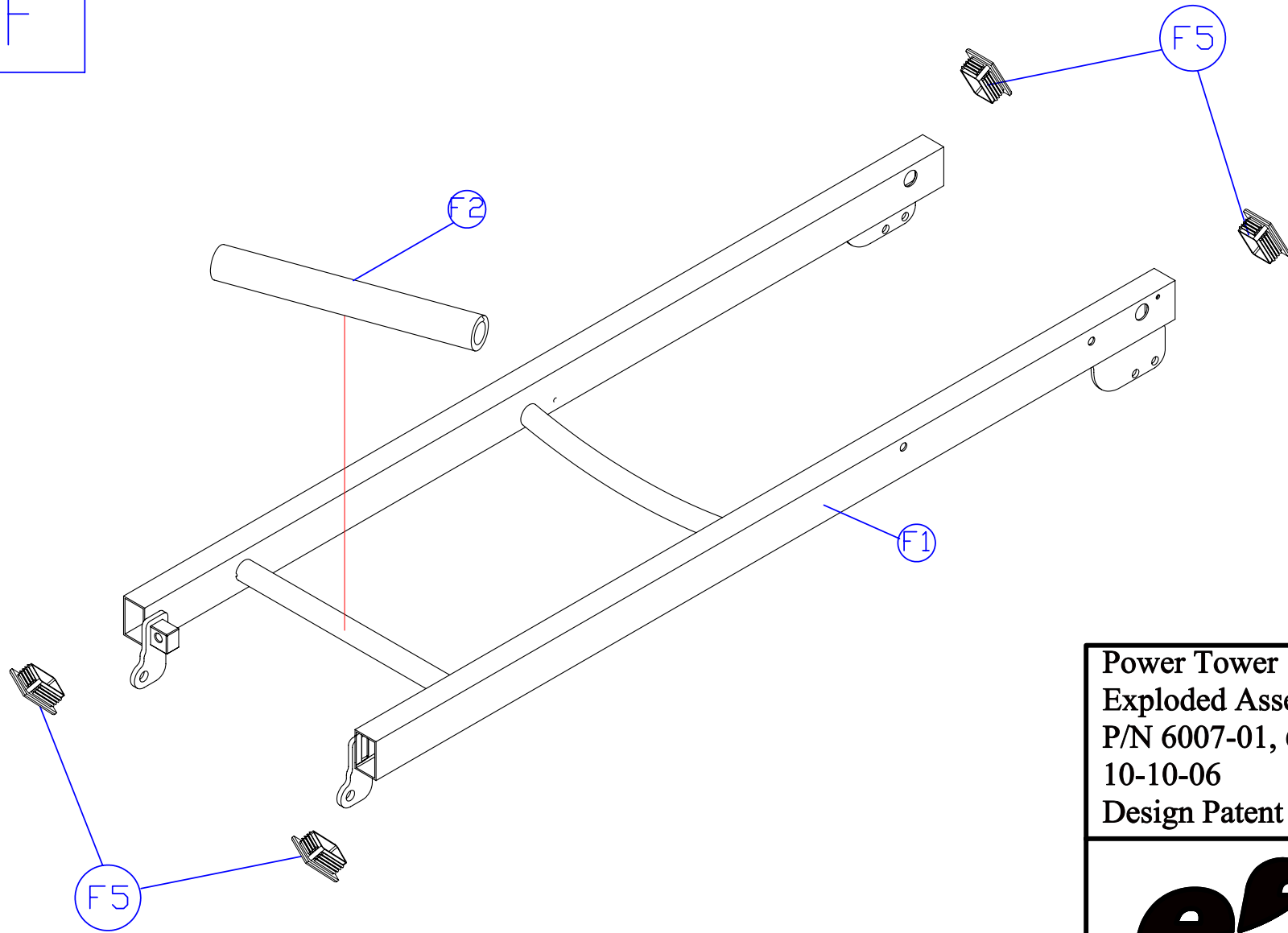
7755 Arjons Drive, San Diego, CA 92126  
 800 541 4900 efisportsmedicine.com

**PROPRIETARY AND CONFIDENTIAL**

THE INFORMATION CONTAINED IN THIS DRAWING IS THE SOLE PROPERTY OF efi sports medicine. ANY REPRODUCTION IN PART OR AS A WHOLE WITHOUT THE WRITTEN PERMISSION IS PROHIBITED.

No.	EFI P/N	Part Name	Alt #
E1	<b>6603-01</b>	Lower Rail Assembly	1900PT010160 1900GTS010160
E2	<b>6085-01</b>	Stop Rubber -A, Female thread	521211
E3	<b>6084-01</b>	Stop Rubber -B Cone Shape, Male thread	521212
E5	<b>6641-01</b>	E-Clip Ring	7036035
E6	<b>6081-01</b>	Non-Marking Hard Plastic Wheel	3530075
E7	<b>6642-01</b>	Fixed Cap Nut: 1/2" External	70012122
E8	<b>6088-01</b>	Plastic Plug 30x 50 mm Rect	520451

F



Power Tower  
 Exploded Assembly Drawing  
 P/N 6007-01, 6008-01  
 10-10-06  
 Design Patent No. D493,853

**efi**<sup>®</sup>  
 sports medicine

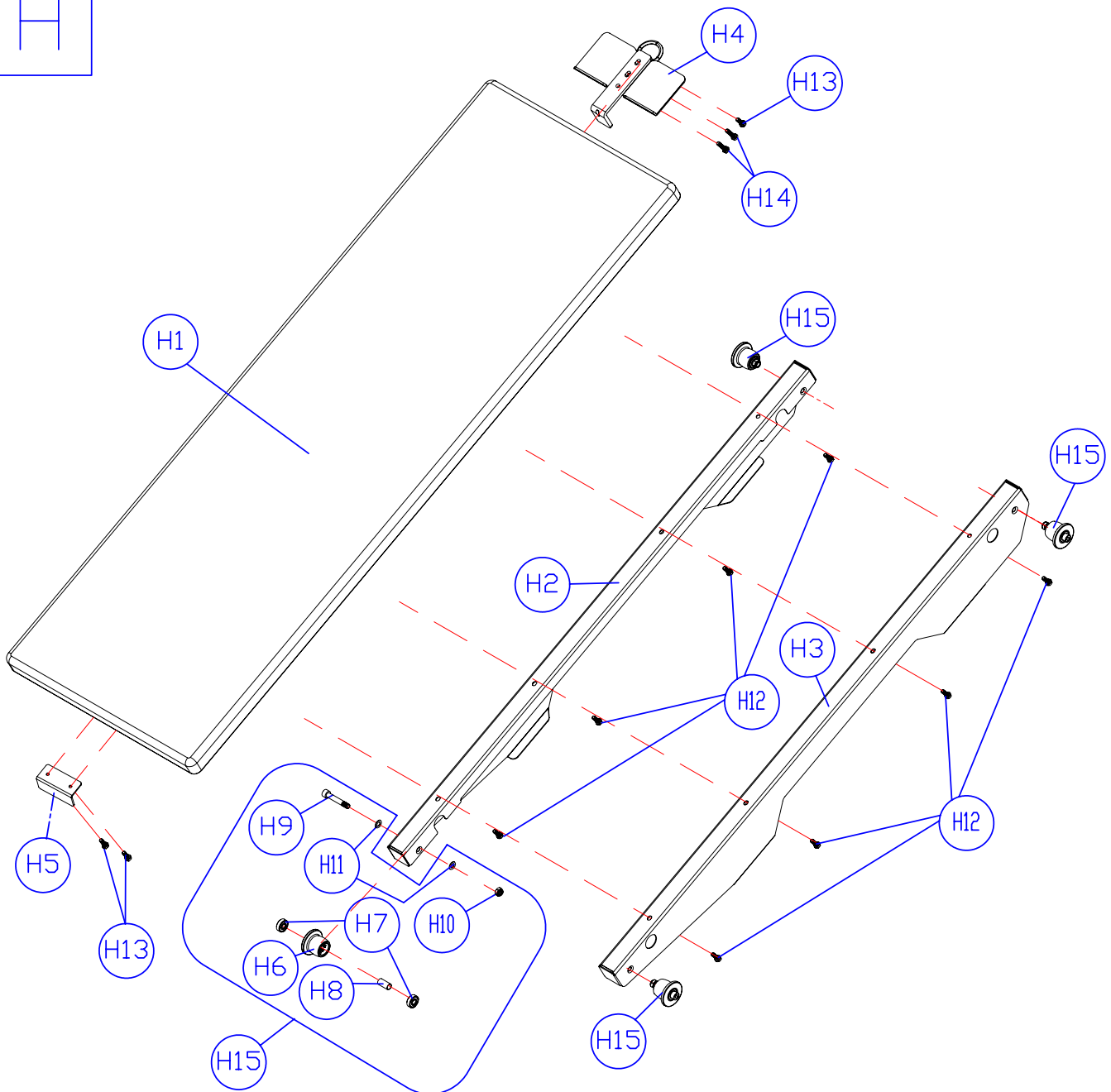
7755 Arjons Drive, San Diego, CA 92126  
 800 541 4900 efisportsmedicine.com

**PROPRIETARY AND CONFIDENTIAL**

THE INFORMATION CONTAINED IN THIS  
 DRAWING IS THE SOLE PROPERTY OF  
 efi sports medicine. ANY REPRODUCTION  
 IN PART OR AS A WHOLE WITHOUT THE  
 WRITTEN PERMISSION IS PROHIBITED.

No.	EFI P/N	Part Name	Alt #
			1900PT010060
F1	<b>6602-01</b>	Top Rail Assembly	1900GTS010060
F2	<b>6126-01</b>	Pad of cross bar	311303
F5	<b>6088-01</b>	Plastic Plug 30x 50 mm Rect	520451

H



No.	EFI Part #	Part Name	Alt #
H	<b>6609-01</b>	Glideboard Assembly(H1~H12)	A700GTS010060
H1	<b>6022-01</b>	GTS Glideboard Pad	3524GTS0100
H2	<b>6626-01</b>	Glideborad Housing -Left	7905GTS010135
H3	<b>6625-01</b>	Glideborad Housing -Right	7905GTS010235
H4	<b>14054-01</b>	Pull/Stop, Gildeborad Bracket	7905TG140000014
H5	<b>14069-01</b>	Lower Stop Bracket	790206714
H12	<b>6690-01</b>	Hex Screw: M6-16L	700240601604
H13	<b>6652-01</b>	Hex Screw: M6-20L	700240602004
H14	<b>6653-01</b>	Hex Screw: M6-25L	700240602504
H15	<b>6080-02</b>	GB Roller Assembly (H6~H11)	22232301
H6	-	GB Roller Aceytal	222310
H7	-	Bearing	452707
H8	-	Sleeve	7030120
H9	-	Special Screw	700210805034
H10	-	Nylock Nut	70011084
H11	-	Flat Washer	700050819104

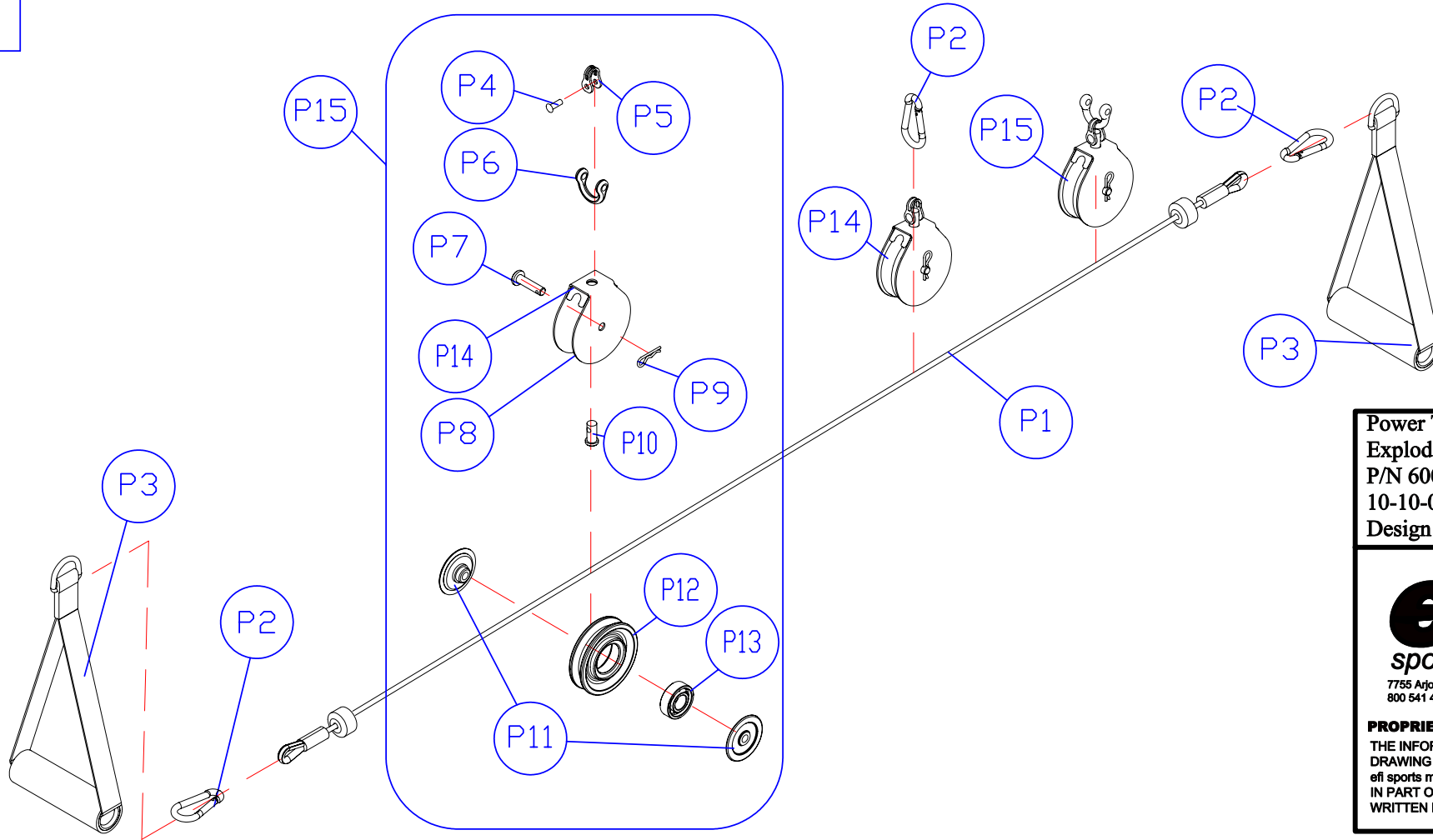
Power Tower  
 Exploded Assembly Drawing  
 P/N 6007-01, 6008-01  
 10-10-06  
 Design Patent No. D493,853



7755 Arjona Drive, San Diego, CA 92128  
 800 541 4900 efi sports medicine.com

**PROPRIETARY AND CONFIDENTIAL**  
 THE INFORMATION CONTAINED IN THIS  
 DRAWING IS THE SOLE PROPERTY OF  
 efi sports medicine. ANY REPRODUCTION  
 IN PART OR AS A WHOLE WITHOUT THE  
 WRITTEN PERMISSION IS PROHIBITED.

P



Power Tower  
Exploded Assembly Drawing  
P/N 6007-01, 6008-01  
10-10-06  
Design Patent No. D493,853

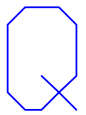
**efi.**  
sports medicine

7755 Arjons Drive, San Diego, CA 92126  
800 541 4900 efi.sportsmedicine.com

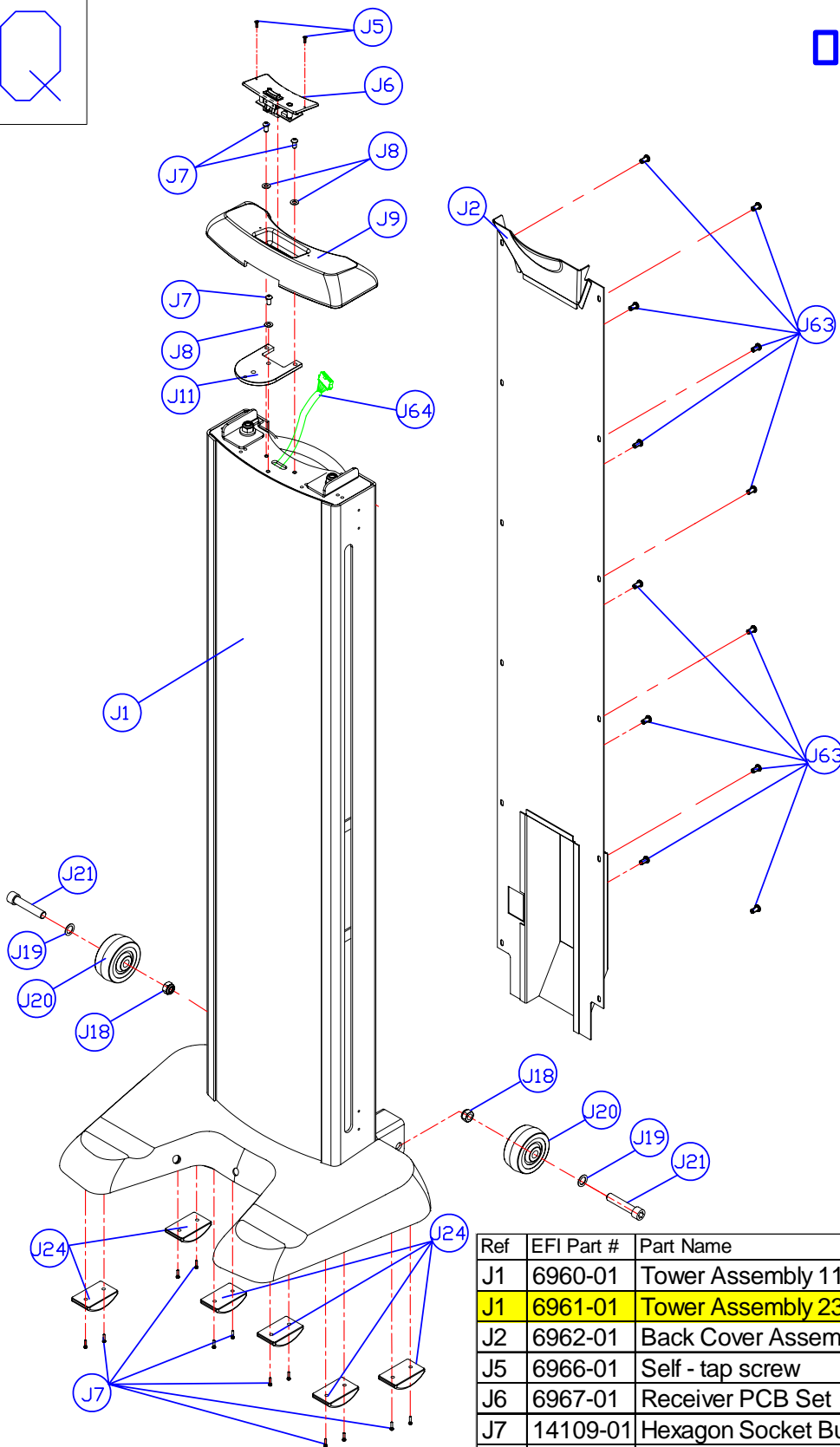
**PROPRIETARY AND CONFIDENTIAL**  
THE INFORMATION CONTAINED IN THIS  
DRAWING IS THE SOLE PROPERTY OF  
efi sports medicine. ANY REPRODUCTION  
IN PART OR AS A WHOLE WITHOUT THE  
WRITTEN PERMISSION IS PROHIBITED.

No.	EFI P/N	Part Name	Alt #
P15	<b>6399-01</b>	Pulley Assembly 3" & U Ring	212103
P6	<b>6672-01</b>	U Ring	212610
P4	-	Rivet: Oval head Semi-Tubular	7035011
P5	-	Pulley Clevis	
P7	-	Pin for Pulley	7032053
P8	-	Pulley Bracket	
P9	-	B-type Pin	7032047
P10	-	Pin	7032054
P11	-	Dust Cover	7031046
P12	-	Cable Roller	222309

No.	EFI P/N	Part Name	Alt #
P	<b>6676-01</b>	Cable Assembly	A180GTS0100
P1	<b>6120-01</b>	Cable	21242272
P2	<b>P3385</b>	Snap Link	212604
P3	<b>6043-01</b>	Strap Handle	3513TG1400000
P6	<b>6672-01</b>	U Ring	212610
P14	<b>P 2273</b>	Pulley Assembly 3"	212103
P15	<b>6399-01</b>	Pulley Assembly 3" & U Ring	



# Outer Parts



Power Tower  
 Exploded Assembly Drawing  
 P/N 6007-01, 6008-01  
 10-10-06  
 Design Patent No. D493,853

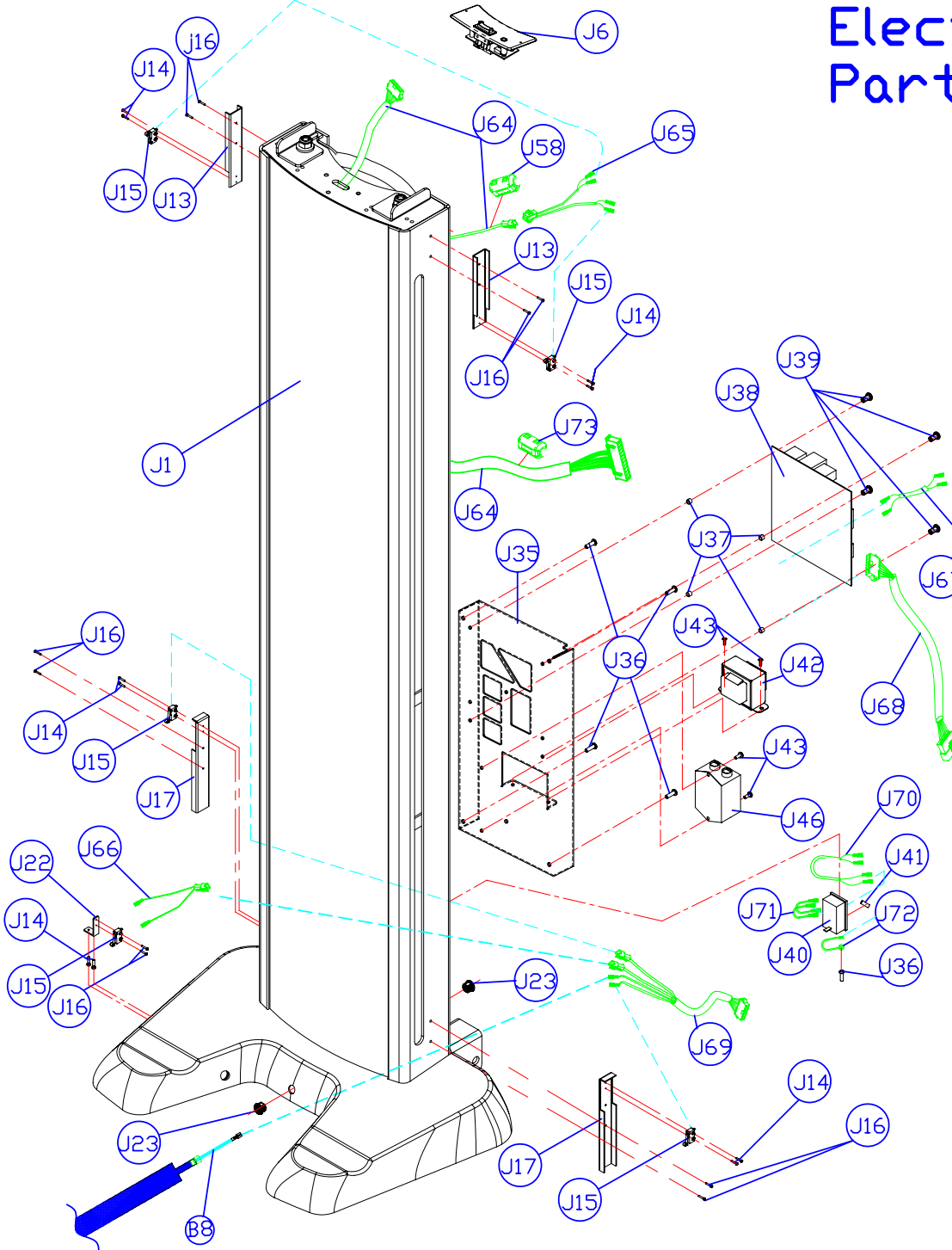
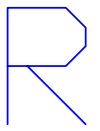


7755 Arjona Drive, San Diego, CA 92128  
 800 541 4900 efiportsmedicine.com

**PROPRIETARY AND CONFIDENTIAL**  
 THE INFORMATION CONTAINED IN THIS  
 DRAWING IS THE SOLE PROPERTY OF  
 efi sports medicine. ANY REPRODUCTION  
 IN PART OR AS A WHOLE WITHOUT THE  
 WRITTEN PERMISSION IS PROHIBITED.

Ref	EFI Part #	Part Name	Alt Part Number
J1	6960-01	Tower Assembly 115 V AC	1300PT010035
J1	6961-01	Tower Assembly 230 V AC	
J2	6962-01	Back Cover Assembly	79021260035
J5	6966-01	Self - tap screw	700220300814
J6	6967-01	Receiver PCB Set	E8019010RX00
J7	14109-01	Hexagon Socket Button Head Screw	700290601214
J8	6656-01	flat washer	700050613104
J9	6617-01	Decoration Cap for Tower	5004PT010010
J11	6611-01	Leg Pulley Bracket	212612
J18	6655-01	nylon nut	70011201
J19	P3373	flat washer	700051219406
J20	6081-01	Transport Wheel	3530075
J24	6619-01	Rubber Foot	411402A01
J63	6660-01	Hexagon Socket Button Head Screw	700290500602
J64	6928-01	wire -A	E5A2DC121050

# Electrical Parts



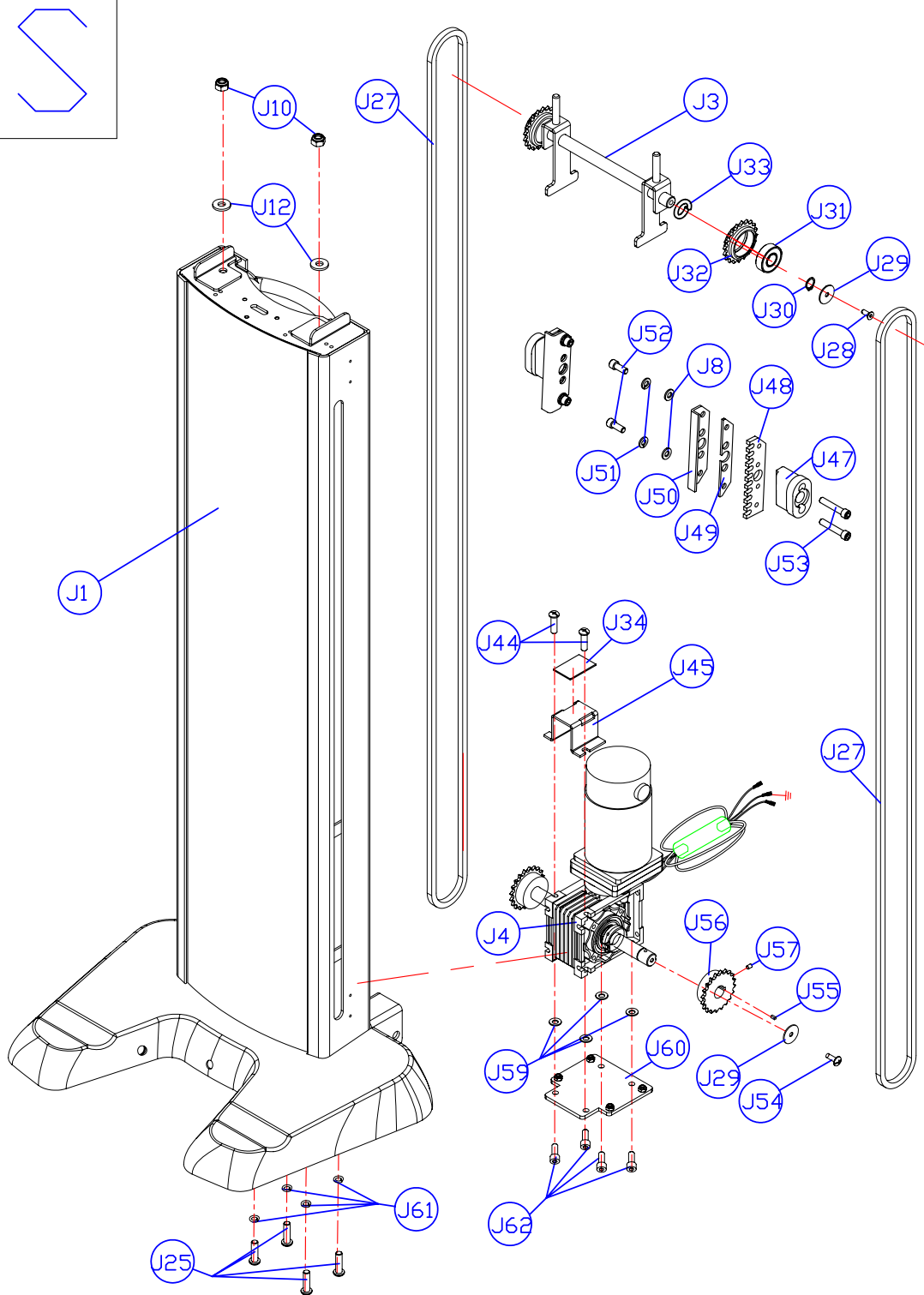
**Power Tower**  
**Exploded Assembly Drawing**  
**P/N 6007-01, 6008-01**  
**10-10-06**  
**Design Patent No. D493,853**

**efi.**  
*sports medicine*  
 7755 Arjons Drive, San Diego, CA 92126  
 800 541 4900 efisportsmedicine.com

**PROPRIETARY AND CONFIDENTIAL**  
 THE INFORMATION CONTAINED IN THIS DRAWING IS THE SOLE PROPERTY OF efi sports medicine. ANY REPRODUCTION IN PART OR AS A WHOLE WITHOUT THE WRITTEN PERMISSION IS PROHIBITED.

Ref	EFI Part #	Part Name	Alt Part Number	Ref	EFI Part #	Part Name	Alt Part Number
J1	6960-01	Tower Assembly 115 V AC	1300PT010035	J41	6993-01	fuse	E0FFZ06A0001
<b>J1</b>	<b>6961-01</b>	<b>Tower Assembly 230 V AC</b>		<b>J41</b>	<b>6994-01</b>	<b>fuse 230 V 3A</b>	
J6	6967-01	Receiver PCB Set	E8019010RX00	J42	6992-01	transformer	E2TYN0602700
J13	6970-01	wire collecting bracket -A	7902125	<b>J42</b>	<b>6996-01</b>	<b>transformer 240V</b>	
J14	6971-01	phillip screw	700200301502	J43	6997-01	phillip screw	700200400601
J15	6972-01	micro switch	E0SSM5H05B00	J46	6910-01	filter	E9A3FEM1102C
J16	6973-01	phillip screw	700200201001	J58	6923-01	magnet core	E0L0FH050001
J17	6974-01	wire collecting bracket -B	7902126	J64	6928-01	wire -A	E5A2DC121050
J22	6975-01	L.S. bracket	7902123	J65	6929-01	wire- B	E5A2DC040300
J23	6796-01	plastic grommet	E4A3OSB16000	J66	6930-01	wire - E	E5A2DC020100
J35	6986-01	control board box	7902124	J67	6931-01	wire - F	E5A2AC010150
J36	6987-01	phillip screw	700200501202	J68	6932-01	wire - C	E5A2DC090750
J37	6988-01	plastic column	E4A3RS040501	J69	6933-01	wire -D	E5A2DC090400
J38	6989-01	control board	E8019010DRV0	J70	6934-01	wire - G	E5A2AC020300
<b>J38</b>	<b>6990-01</b>	<b>control board</b>		J71	6935-01	wire - H	E5A2AC010050
J39	6991-01	phillip screw	700200401004	J72	6936-01	grounding wire	E5A2GN010350
J40	6995-01	3 in 1 switch	E0S0JR3IN1002	J73	6937-01	magnet core	E0L0FFB90212
				B8	6943-01	wire of safety switch	E5A2DC030150

# Drive Train Parts



Left side shown Assembled  
Right side shown Disassembled

Power Tower  
Exploded Assembly Drawing  
P/N 6007-01, 6008-01  
10-10-06  
Design Patent No. D493,853



**PROPRIETARY AND CONFIDENTIAL**  
THE INFORMATION CONTAINED IN THIS DRAWING IS THE SOLE PROPERTY OF efi sports medicine. ANY REPRODUCTION IN PART OR AS A WHOLE WITHOUT THE WRITTEN PERMISSION IS PROHIBITED.

Ref	EFI Part #	Part Name	Alt Part Number	Ref	EFI Part #	Part Name	Alt Part Number
J1	6960-01	Tower Assembly 115 V AC	1300PT010035	J44	6998-01	Socket Head Screw	70021081216
J1	6961-01	Tower Assembly 230 V AC		J45	6999-01	bottom safety block	7902130
J3	6963-01	Top shaft Set	1800PT010020	J47	6911-01	shuttle	7902132
J4	6964-01	Gear motor 115 V AC	E2MDNEVGH900	J48	6912-01	chain plate	7902129
J4	6965-01	Gear motor 230 V AC		J49	6914-01	chain spacer	7902127
J8	6656-01	flat washer	700050613104	J50	6915-01	chain clamp	7902128
J10	6968-01	nylon nut	700011101	J51	6916-01	spring washer	700020604
J12	6969-01	oval washer	7000901020101	J52	6917-01	Socket Head Screw	700210601616
J25	6977-01	Hexagon Socket Button Head S	700290802034	J53	6918-01	Socket Head Screw	700210602514
J27	6978-01	chain	2032035316	J54	6919-01	flat head inner hex screw	700230801616
J28	6979-01	flat head inner hex screw	700230601224	J55	6920-01	shaft key	7032085
J29	6980-01	special washer	700050826253	J56	6921-01	bottom sprocket	20262002
J30	6981-01	C clip	7036030	J57	6922-01	sunk screw	7019050801
J31	6982-01	bearing	452729	J59	6924-01	oval washer	700090816091
J32	6983-01	top sprocket	20262001	J60	6925-01	gear motor fixing bracket	79021220020
J33	6984-01	spring washer	7000218011	J61	6926-01	spring washer	7000208016
J34	6985-01	rubber absorber	520871	J62	6927-01	Socket Head Screw	700210801614